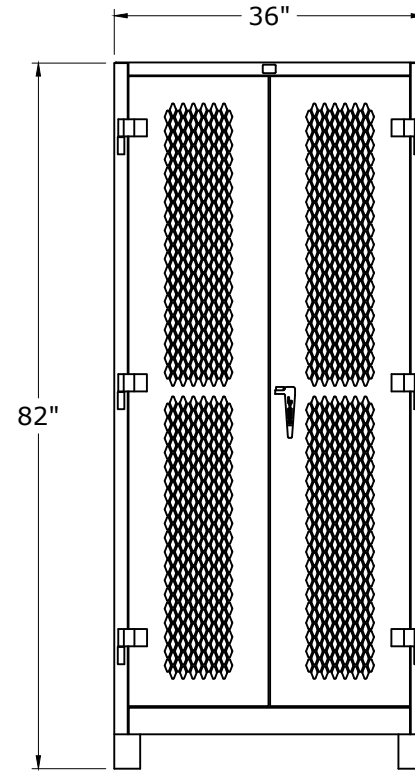
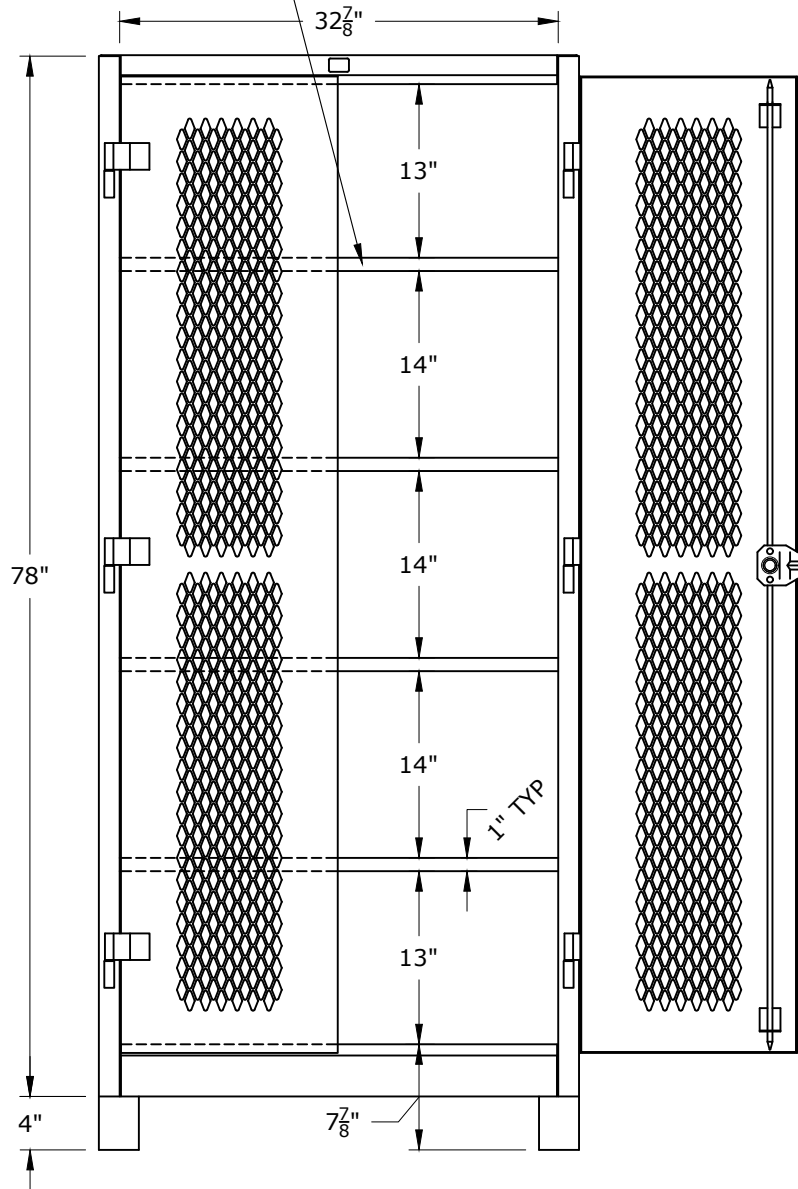
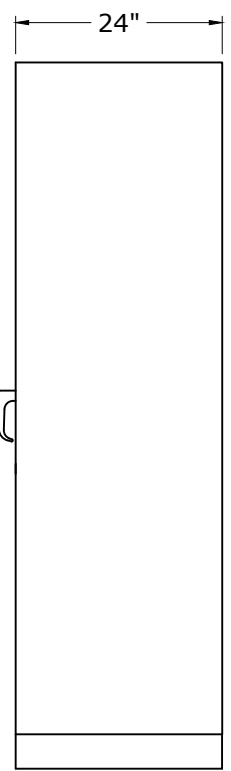


SHELVES ADJUSTABLE  
@ 3" CENTER



FRONT CLOSED VIEW



SIDE VIEW

**LYON**

P.O. Box 671  
AURORA, IL 60507-0671  
PHONE: 630-892-8941  
FAX: 800-367-6681

NOTICE: THIS IS A CONFIDENTIAL DISCLOSURE LOANED BY  
LYON WORKSPACE FOR REFERENCE PURPOSES ONLY

DATE 08-08-12	DRAWN BY JR	CHECKED BY DWV
------------------	----------------	-------------------

DESCRIPTION

PRE-ENGINEERED CABINET  
MAINTENANCE CENTER  
36"W x 24"D x 82"H

SHEET	DRAWING NUMBER 1115DP	REV 1
-------	--------------------------	----------