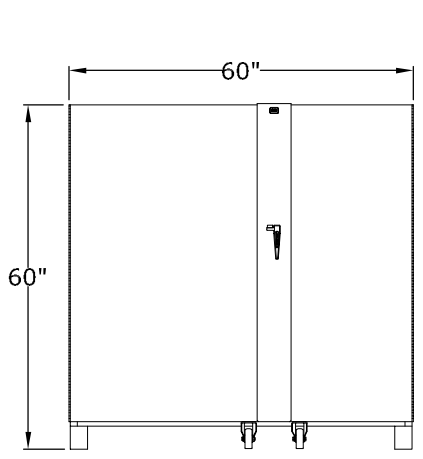
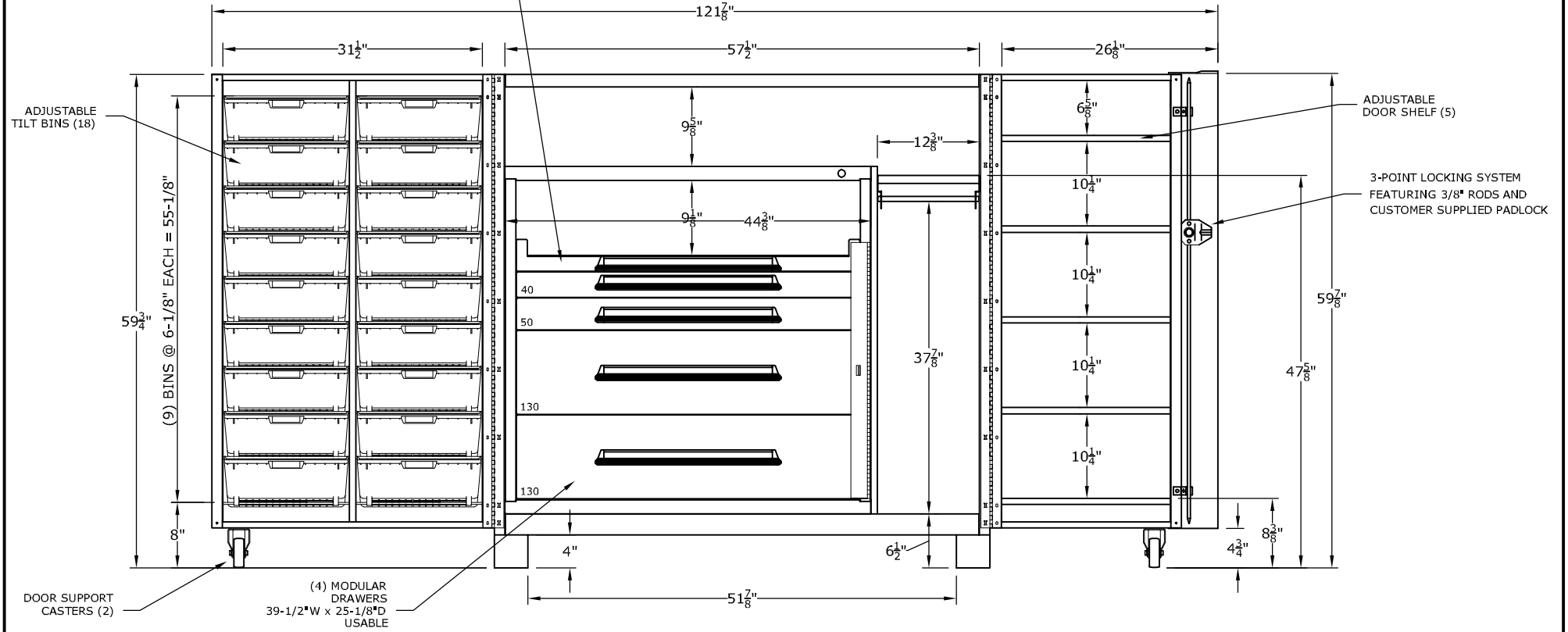
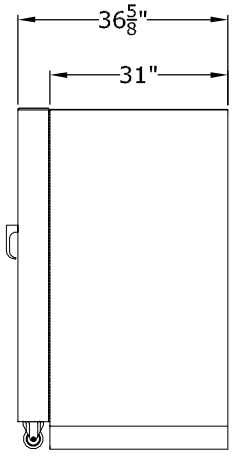


TOP DRAWER IS A  
ROLL OUT SHELF  
WITH 39-7/8"W x  
25-1/8"D x 9-1/8"H  
USABLE



CLOSED FRONT VIEW



SIDE VIEW

DRAWER NUMBER	40	50	60	70	80	90	100	110	120	130	140	150	160	170	180
USABLE HEIGHT	2 1/4"	3"	3 7/8"	4 5/8"	5 3/8"	6 1/4"	7"	7 3/4"	8 1/2"	9 3/8"	10 1/8"	10 7/8"	11 3/4"	12 1/2"	13 1/4"

**LYON** P.O. Box 671  
AURORA, IL 60507-0671  
PHONE: 630-892-8941  
FAX: 800-367-6681

NOTICE: THIS IS A CONFIDENTIAL DISCLOSURE LOANED BY LYON WORKSPACE FOR REFERENCE PURPOSES ONLY

DATE 07-30-12	DRAWN BY JR	CHECKED BY DWV
------------------	----------------	-------------------

DESCRIPTION  
**PRE-ENGINEERED CABINET  
MAINTENANCE CENTER  
60"W x 36-1/2"D x 60"H**

SHEET	DRAWING NUMBER <b>1101</b>	REV 1
-------	-------------------------------	----------