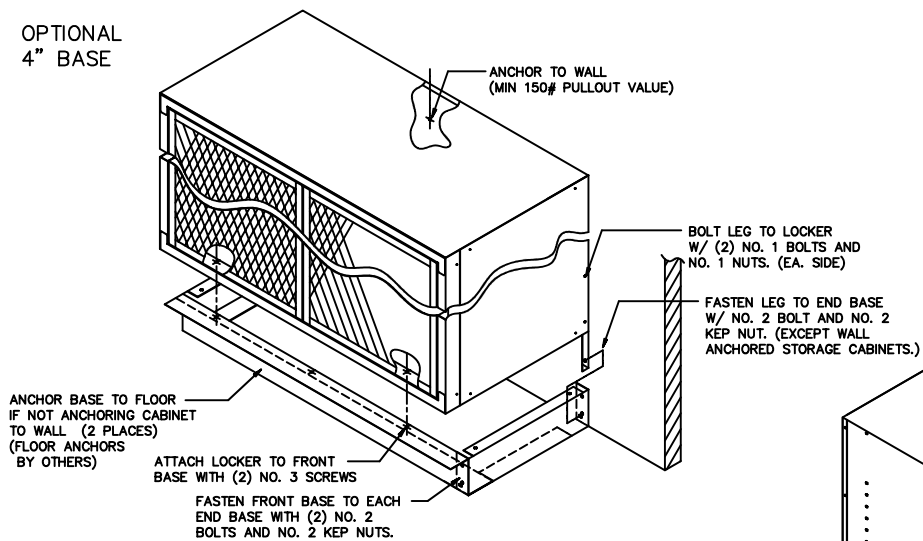
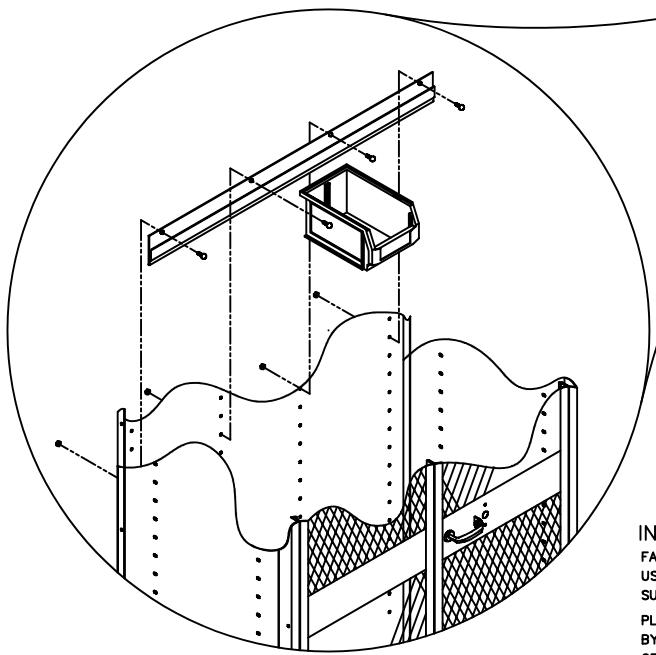
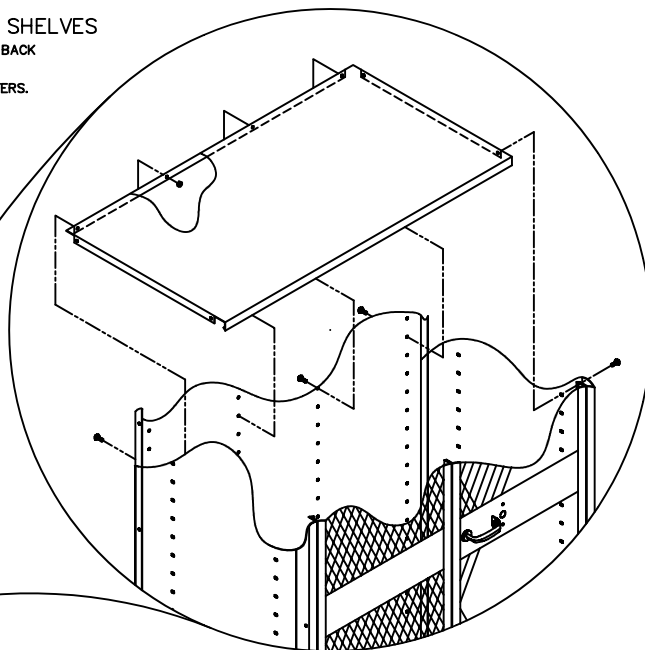


**OPTIONAL
4" BASE**



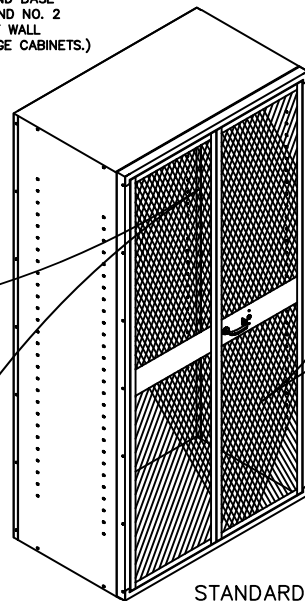
INSTALLATION OF EXTRA SHELVES

FASTEN SHELF TO CABINET SIDES AND BACK USING (8) NO. 1 BOLTS AND NUTS. SHELVES ARE ADJUSTABLE ON 2" CENTERS.

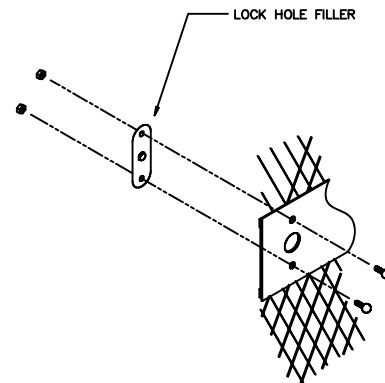


INSTALLATION OF PLASTIC BINS

FASTEN GALVANIZED BIN SUPPORT TO BACK USING (4) NO. 1 BOLTS AND NUTS. SUPPORTS ARE ADJUSTABLE ON 2" CENTERS. PLACE PLASTIC BINS ONTO BIN SUPPORTS BY PLACING BIN TANG INTO SLOT OF SUPPORT.



**STANDARD
CABINET
SHELL**



**INSTALLING THE
LOCK HOLE FILLER**

ATTACH LOCK HOLE FILLER WITH (2) NO. 1 BOLTS AND NUTS AS SHOWN ABOVE

HARDWARE:

NO. 1 BOLT
#10-24 x 3/8"
NO. 1 NUT
#10-24 HEX

NO. 2 BOLT
#10-24 x 1/2"
(SLOTTED)

NO. 3 SCREW
#10-24 x 1 1/2"
(SLOTTED)

NO. 2 NUT
#10-24 KEP NUT

ASSEMBLY INSTRUCTIONS
FOR ALL-WELDED
VISIBLE STORAGE CABINET
AND ACCESSORIES

LYON LYON WORKSPACE PRODUCTS, INC.
P.O. BOX 871 AURORA, IL 60507
REVISIONS
2012-0002-01
06-12-97

5940-CA

NOTE: RETAIN THIS INSTRUCTION SHEET FOR YOUR RECORDS