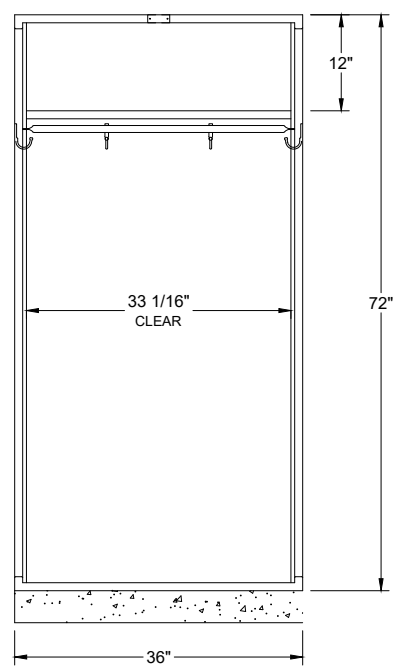
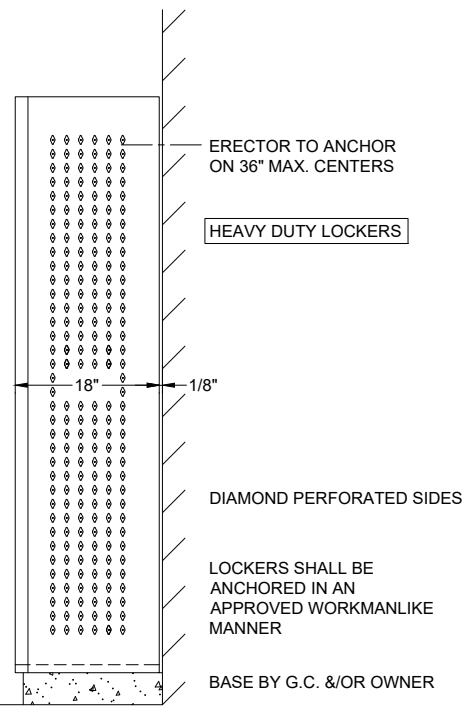


OPTIONAL NUMBER  
PLATE PUNCHING ON  
FRAME OR HAT SHELF

SHELF  
1-COAT ROD & 4-SINGLE  
PRONG HOOKS



INTERIOR ELEVATION



1" MAX  
TYP.

SINGLE ROW  
END ELEVATION

ERECTOR TO ANCHOR  
ON 36" MAX. CENTERS

HEAVY DUTY LOCKERS

DIAMOND PERFORATED SIDES

LOCKERS SHALL BE  
ANCHORED IN AN  
APPROVED WORKMANLIKE  
MANNER

BASE BY G.C. &/OR OWNER

HEAVY DUTY COLLEGIATE LOCKER FRAME 36" X 18" X 72" S.R.S.T.