

FIGURE. 1

USE #10-24 MACHINE SCREWS WITH #10-24 NUTS TO BOLT DOUBLE PRONG HOOKS TO BACK PANEL AND DIAMOND PERFORATED SIDE PANELS. NEXT BOLT DIAMOND PERFORATED SIDES TO BACK PANEL.  
NOTE: SIDE PANELS ARE IDENTICAL.

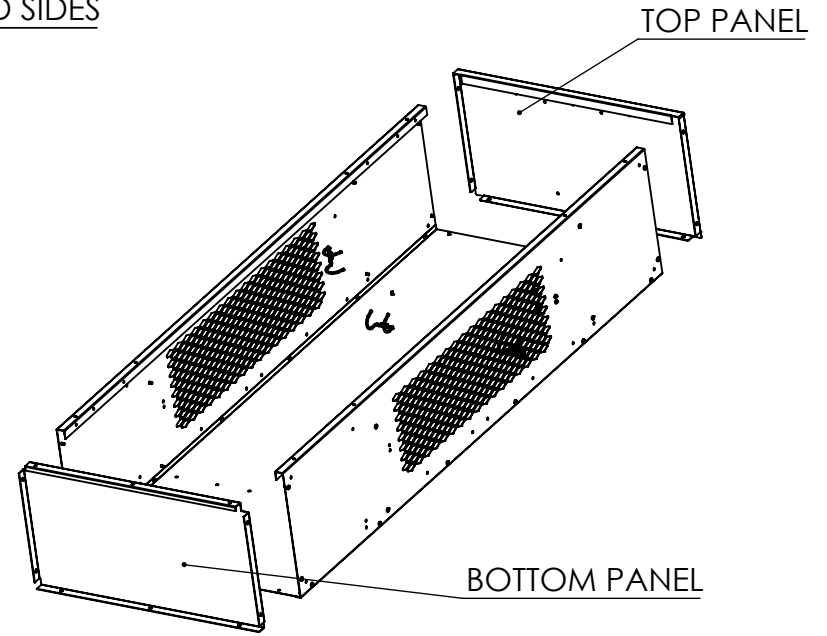


FIGURE. 2

BOLT TOP AND BOTTOM PANELS TO THE BACK AND SIDE PANELS. KEEP OVERLAPPING FLANGES FACING FORWARD.  
NOTE: TOP PANEL HAS PUNCHING FOR OPTIONAL LOCKED COMPARTMENT.

FASTENERS SHOWN IN ACTUAL SIZE



#10-24 X 1/2  
MACHINE SCREW



#10-24 NUT



#10-24 SELF  
TAPPING SCREW

ASSEMBLY INSTRUCTIONS



REVISIONS

DATE

9124-AA

SHEET 1 OF 5

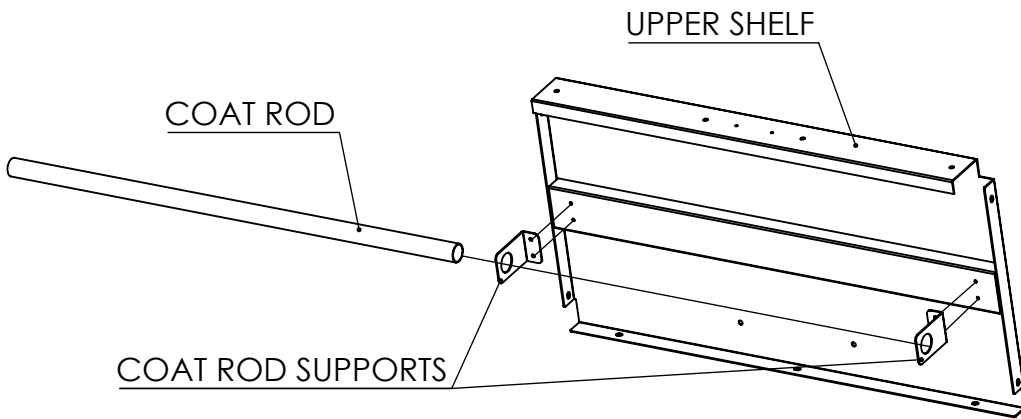


FIGURE. 3

INSTALL COAT ROD SUPPORTS TO UPPER SHELF USING #10 X 5/16 SELF TAPPING SCREWS. SLIDE COAT ROD INTO COAT ROD SUPPORTS EYE HOLES.

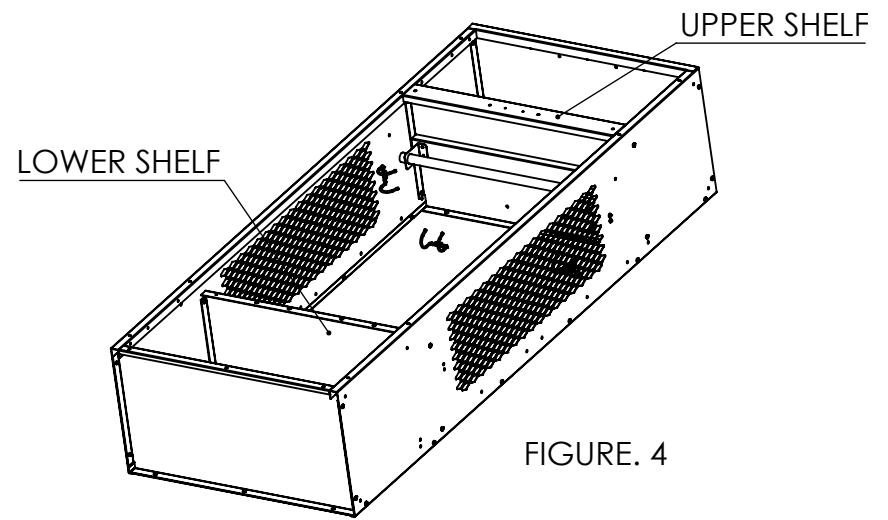
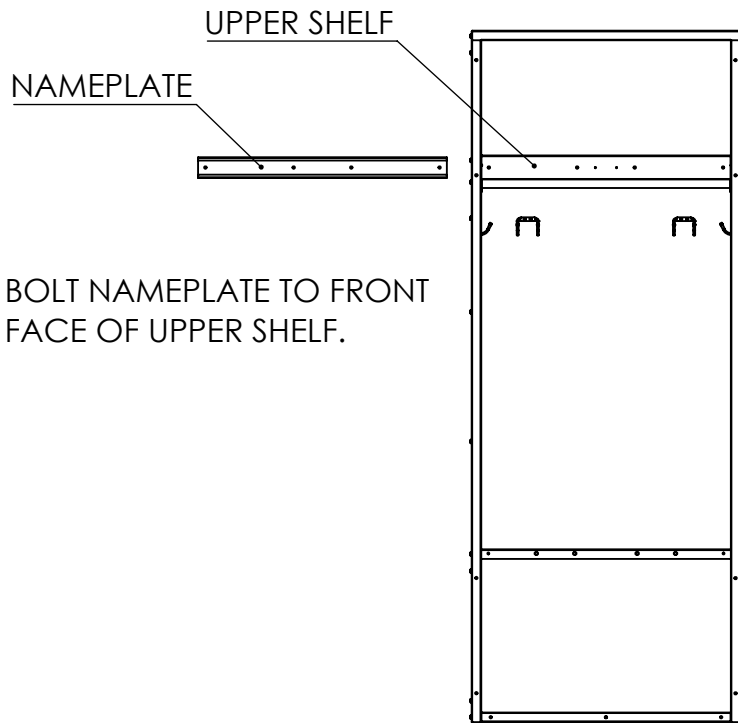


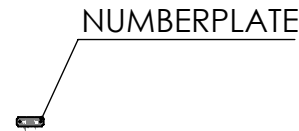
FIGURE. 4

BOLT UPPER AND LOWER SHELVES TO BACK AND SIDE PANELS.



BOLT NAMEPLATE TO FRONT FACE OF UPPER SHELF.

FIGURE. 5



OPTIONAL PRODUCT

NAMEPLATE CAN BE REPLACED WITH NUMBER PLATE.

ASSEMBLY INSTRUCTIONS



REVISIONS

DATE

9124-AA

# UPPER COMPARTMENT ASSEMBLY

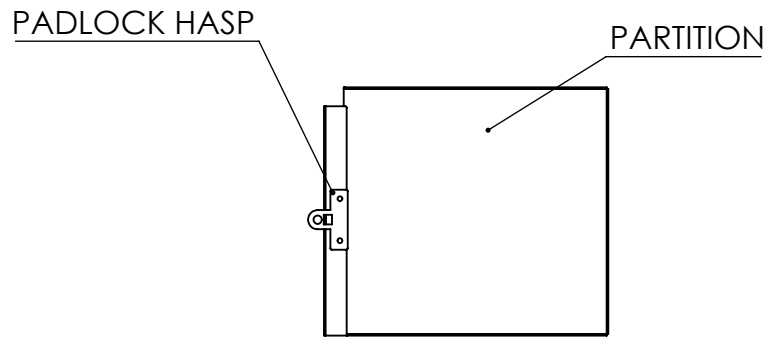


FIGURE. 6

BOLT PADLOCK HASP TO PARTITION.

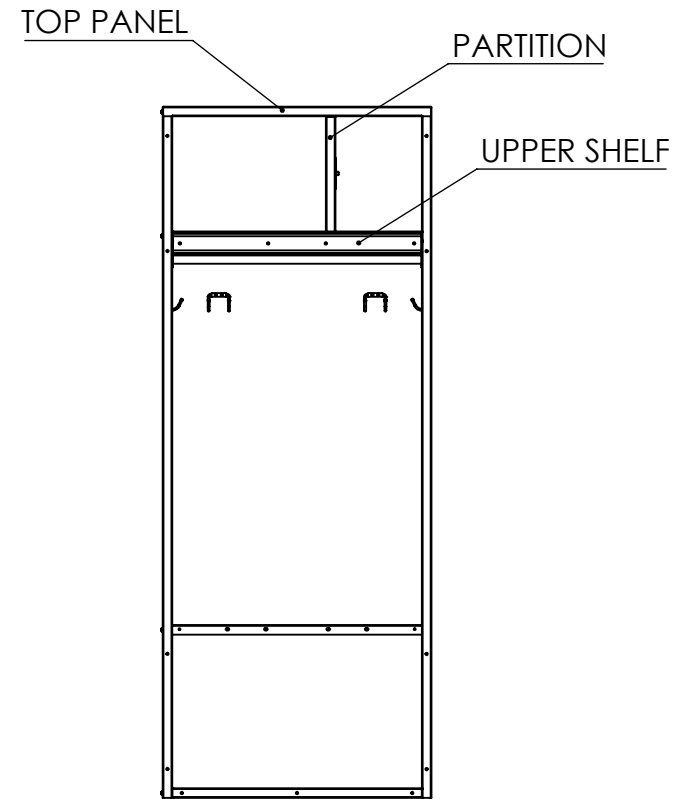


FIGURE. 7

BOLT PARTITION TO TOP PANEL AND UPPER SHELF.

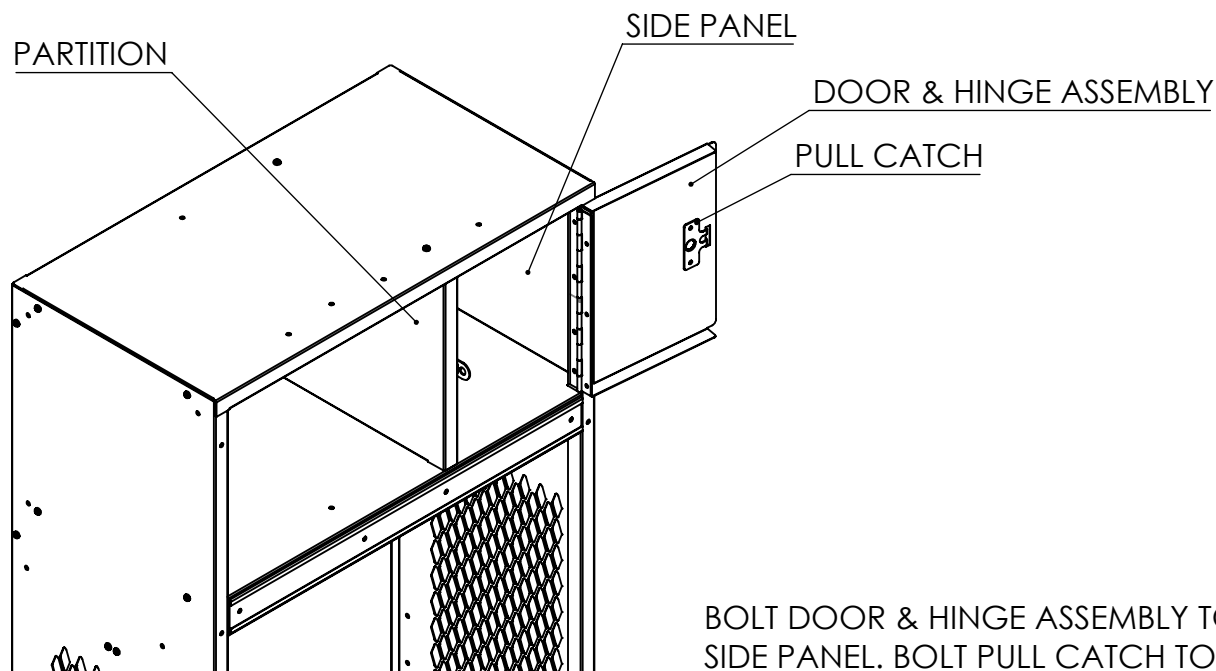


FIGURE. 8

BOLT DOOR & HINGE ASSEMBLY TO SIDE PANEL. BOLT PULL CATCH TO DOOR

## ASSEMBLY INSTRUCTIONS



REVISIONS

DATE

9124-AA

SHEET 3 OF 5

# LOWER COMPARTMENT ASSEMBLY

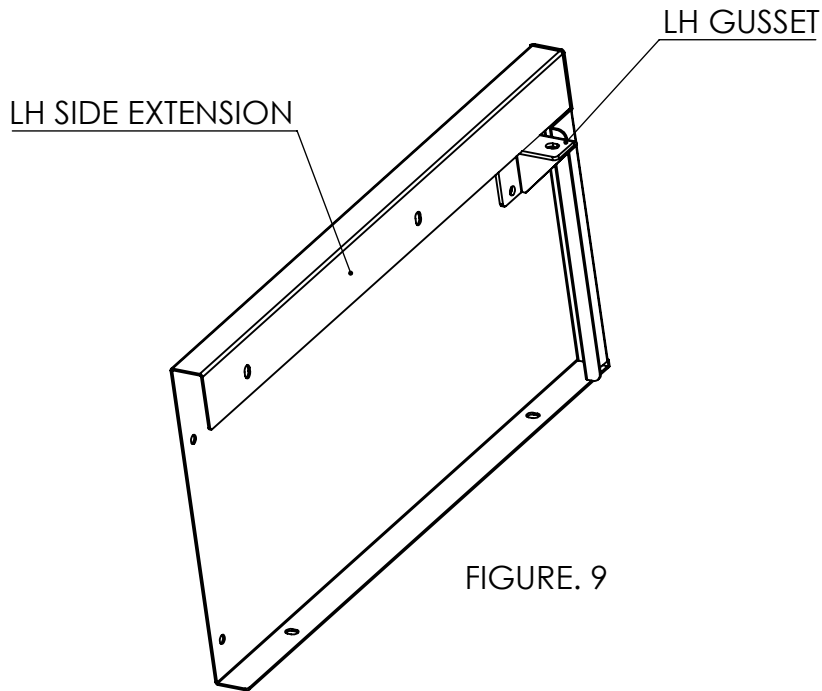


FIGURE. 9

BOLT LH GUSSET TO LH SIDE EXTENSION. BOLT RH GUSSET TO RH SIDE EXTENSION

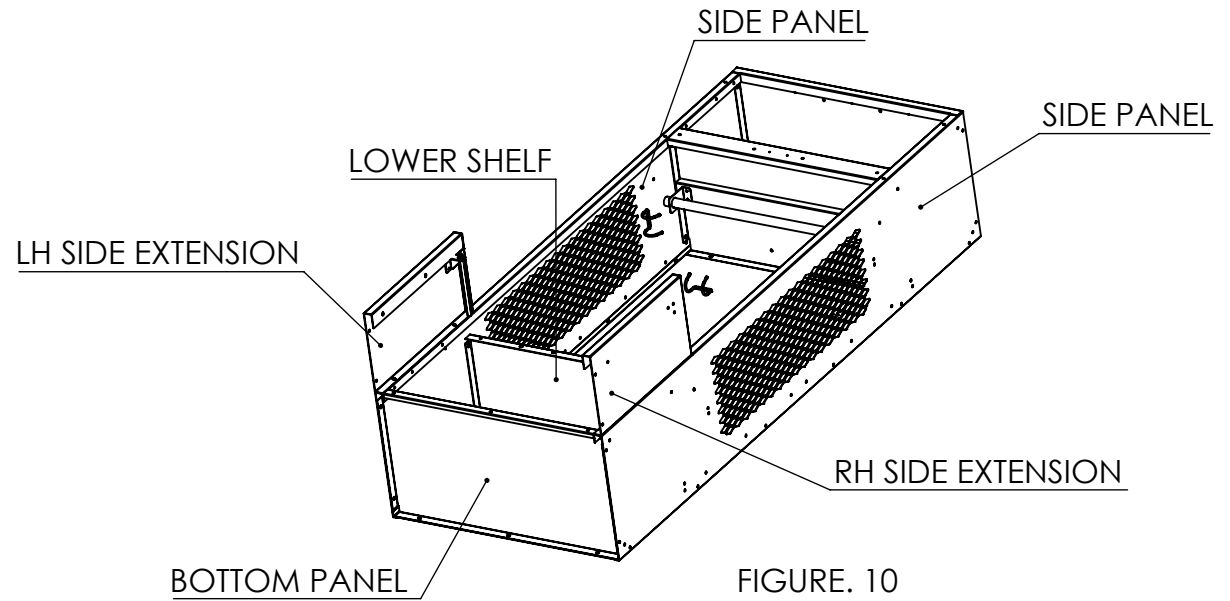


FIGURE. 10

BOLT LH SIDE EXTENSION TO SIDE PANEL. BOLT RH SIDE EXTENSION TO OTHER SIDE PANEL.

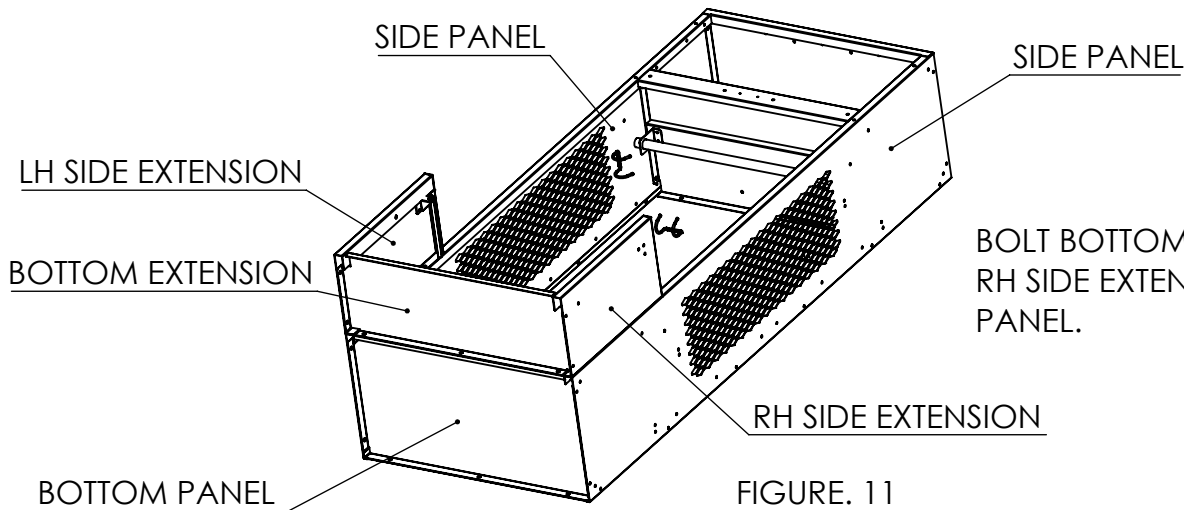


FIGURE. 11

BOLT BOTTOM EXTENSION TO LH & RH SIDE EXTENSIONS AND BOTTOM PANEL.

## ASSEMBLY INSTRUCTIONS



REVISIONS

DATE

9124-AA

# LOWER COMPARTMENT ASSEMBLY CONTINUED

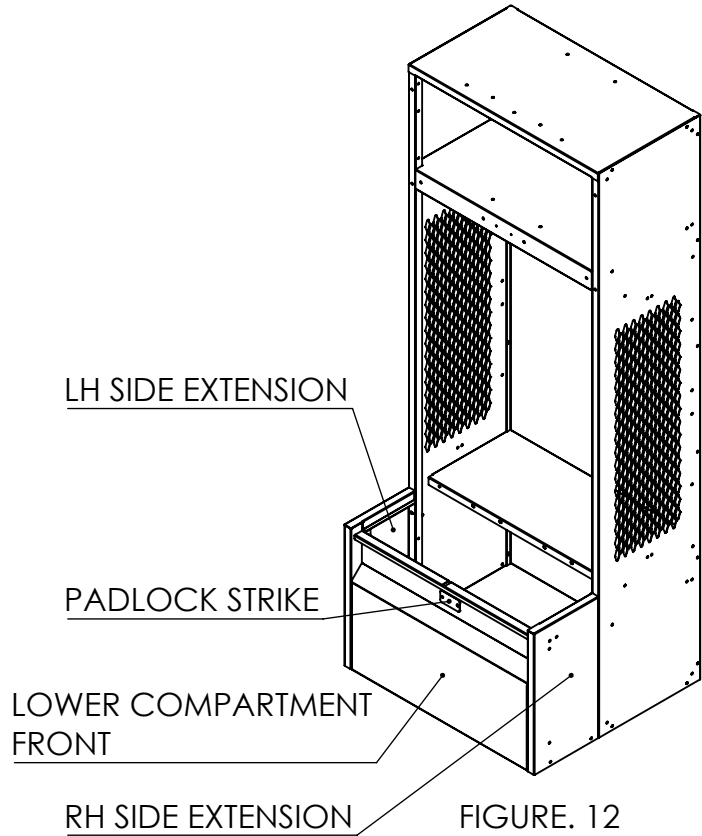


FIGURE. 12

BOLT LOWER COMPARTMENT FRONT TO LH & RH SIDE EXTENSIONS AND LH & RH GUSSETS. BOLT PADLOCK STRIKE TO LC FRONT.

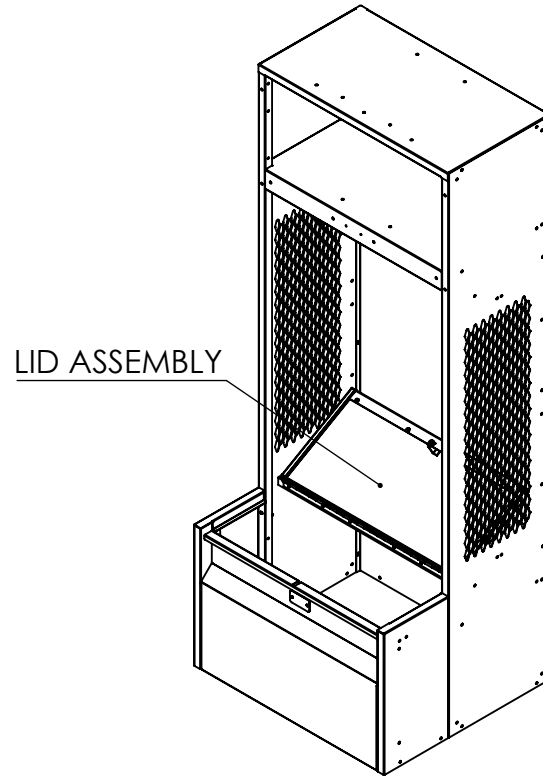


FIGURE. 13

BOLT LID ASSEMBLY HINGE TO LOWER SHELF.

## ASSEMBLY INSTRUCTIONS



REVISIONS

DATE

9124-AA