

INSTALL SLOPING HOOD END WITH #10 X 1/2 SELF DRILLING SCREWS

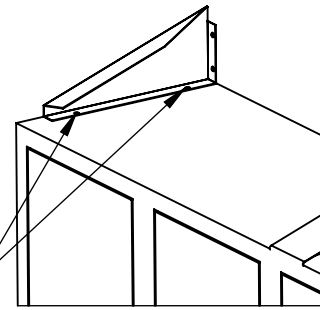


FIGURE. 1

FASTEN HOOD SUPPORT WITH #10-24 X 3/8 MACHINE SCREW AND NUT

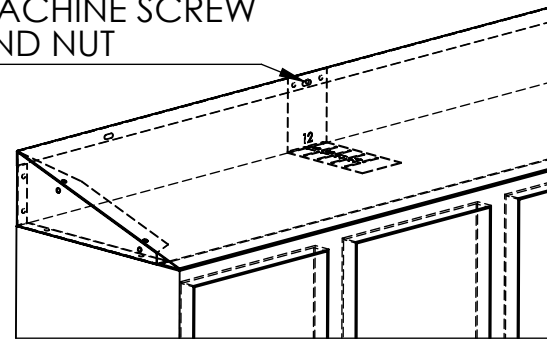
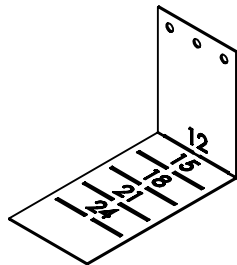
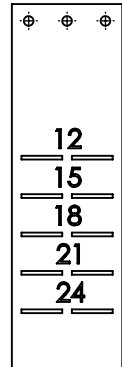


FIGURE. 2

INSTALL SUPPORT AS CLOSE TO SPLICE PLATE AS POSSIBLE AND PLACE REMAINING SUPPORTS EVERY APPROXIMATE 36" TO PREVENT SAG.



DETERMINE HEIGHT OF HOOD SUPPORT NEEDED. BEND PART AT THE MARK MATCHING THE DEPTH OF LOCKER IT IS BEING USED ON. FOR EXAMPLE, A HOOD SUPPORT FOR 12" DEEP LOCKERS WOULD BE BENT ON THE 12 MARKING.

ATTACH FRONT FLANGE WITH #10 X 1/2 SELF DRILLING SCREWS

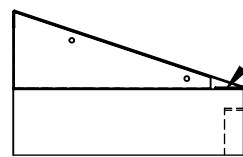


FIGURE. 3

ATTACH WITH #10 X 1/2 SHEET METAL SCREWS

SLOPING HOOD END (LEFT)

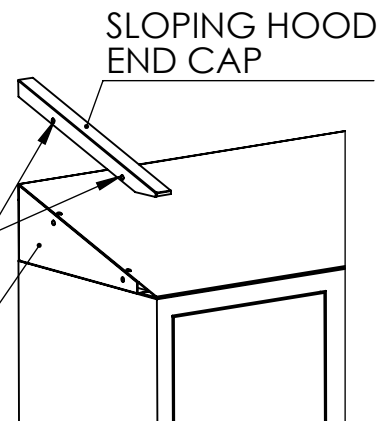


FIGURE. 5

INSERT SPLICE PANEL BETWEEN SLOPING PANELS

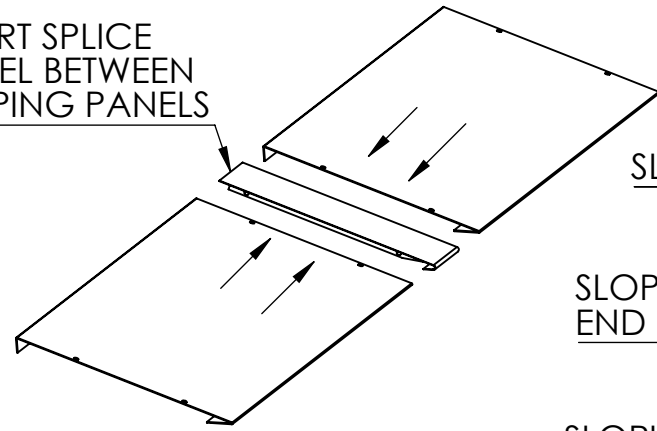


FIGURE. 4

SLOPING HOOD END CAP

SLOPING HOOD END

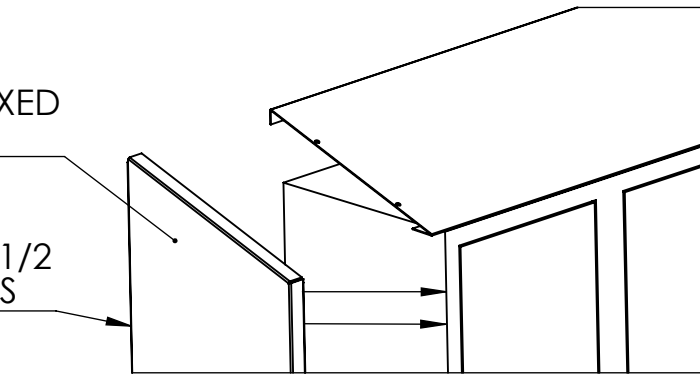
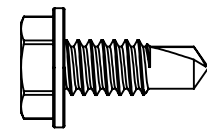


FIGURE. 7

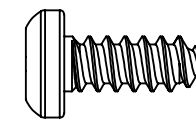
SLOPING BOXED END PANEL

ATTACH WITH #10 X 1/2 SHEET METAL SCREWS

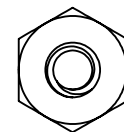
FASTENERS SHOWN IN ACTUAL SIZE



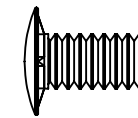
#10 X 1/2 SELF DRILLING SCREW



#10 X 1/2 SHEET METAL SCREW



#10-24 NUT



#10-24 X 3/8 MACHINE SCREW

RH INSIDE CORNER FILLER  
LH INSIDE CORNER FILLER

SLOPING HOOD

SLOPING HOOD END CAP

SLOPING HOOD END

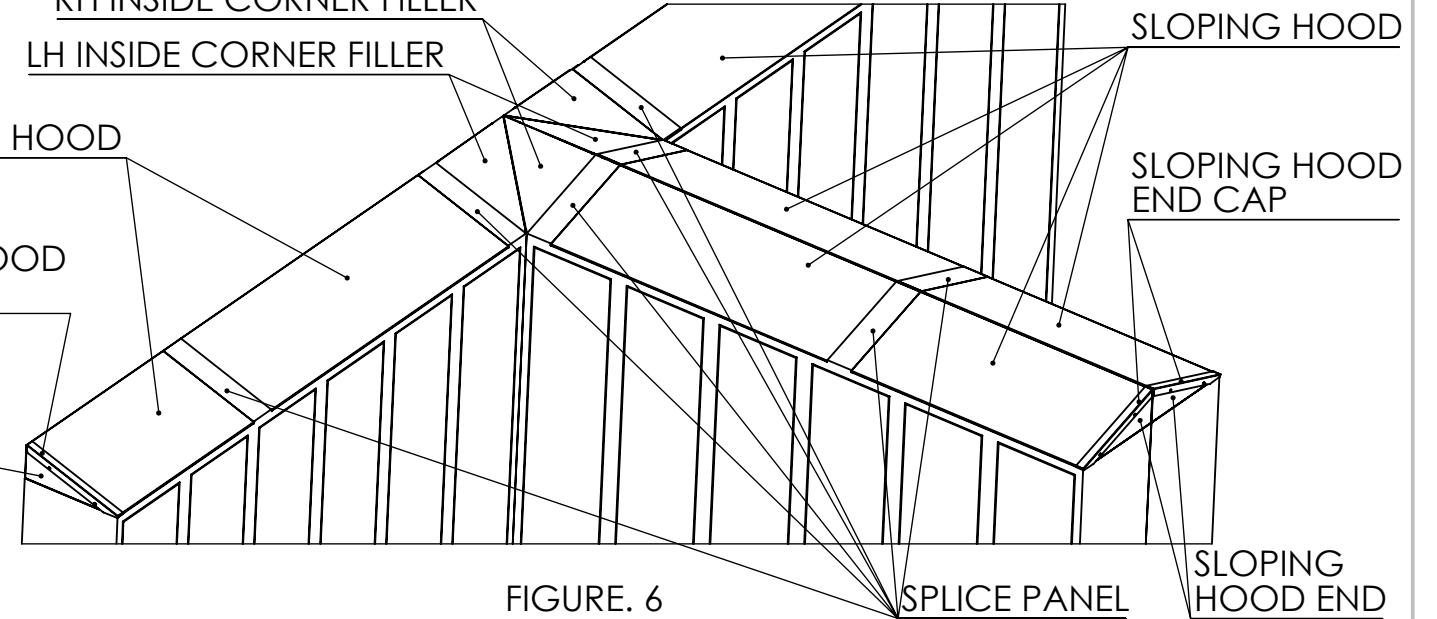


FIGURE. 6

SLOPING HOOD

SLOPING HOOD END CAP

SLOPING HOOD END

SPLICE PANEL

WHEN INSTALLING A BOXED END PANEL. SLOPING HOOD NEEDS TO EXTEND PAST THE LOCKER TO COVER THE TOP OF THE BOXED END PANEL. HOOD ENDS ARE NOT NECESSARY.

**NOTE:**  
ALL HOODS ARE 72" LONG, THEY ARE TO EXTEND OVER THE ENTIRE LENGTH OF THE ROWS, INCLUDING FRONT FILLERS. HOODS ARE NOT TO EXTEND INTO CORNERS. AT CORNERS USE SLOPING TOP CORNER FILLERS (END CAPS ARE NOT REQUIRED WHERE CORNER FILLERS ARE LOCATED).

ASSEMBLY INSTRUCTIONS FOR SLOPING HOOD



REVISIONS

DATE

6241-AA