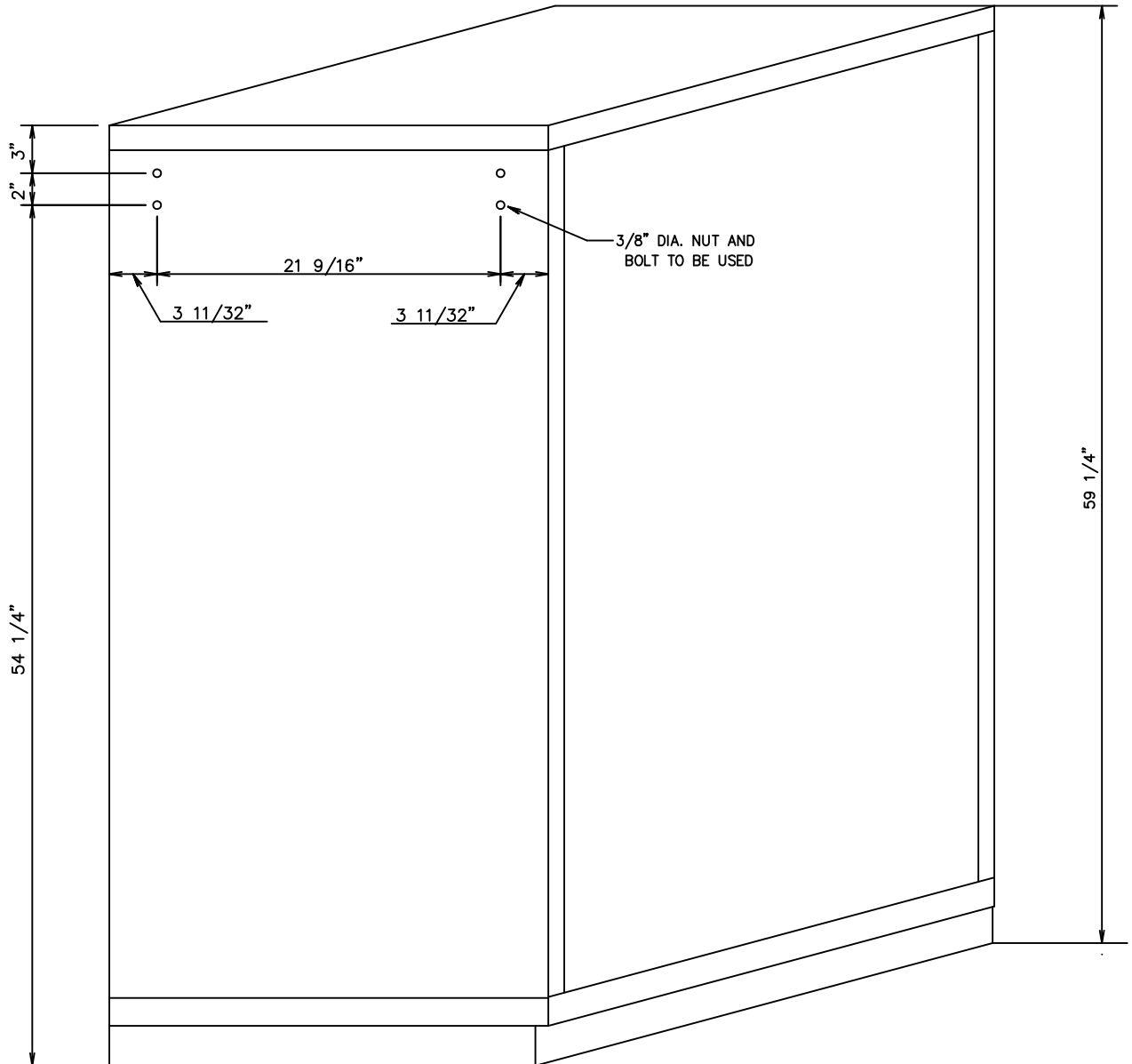


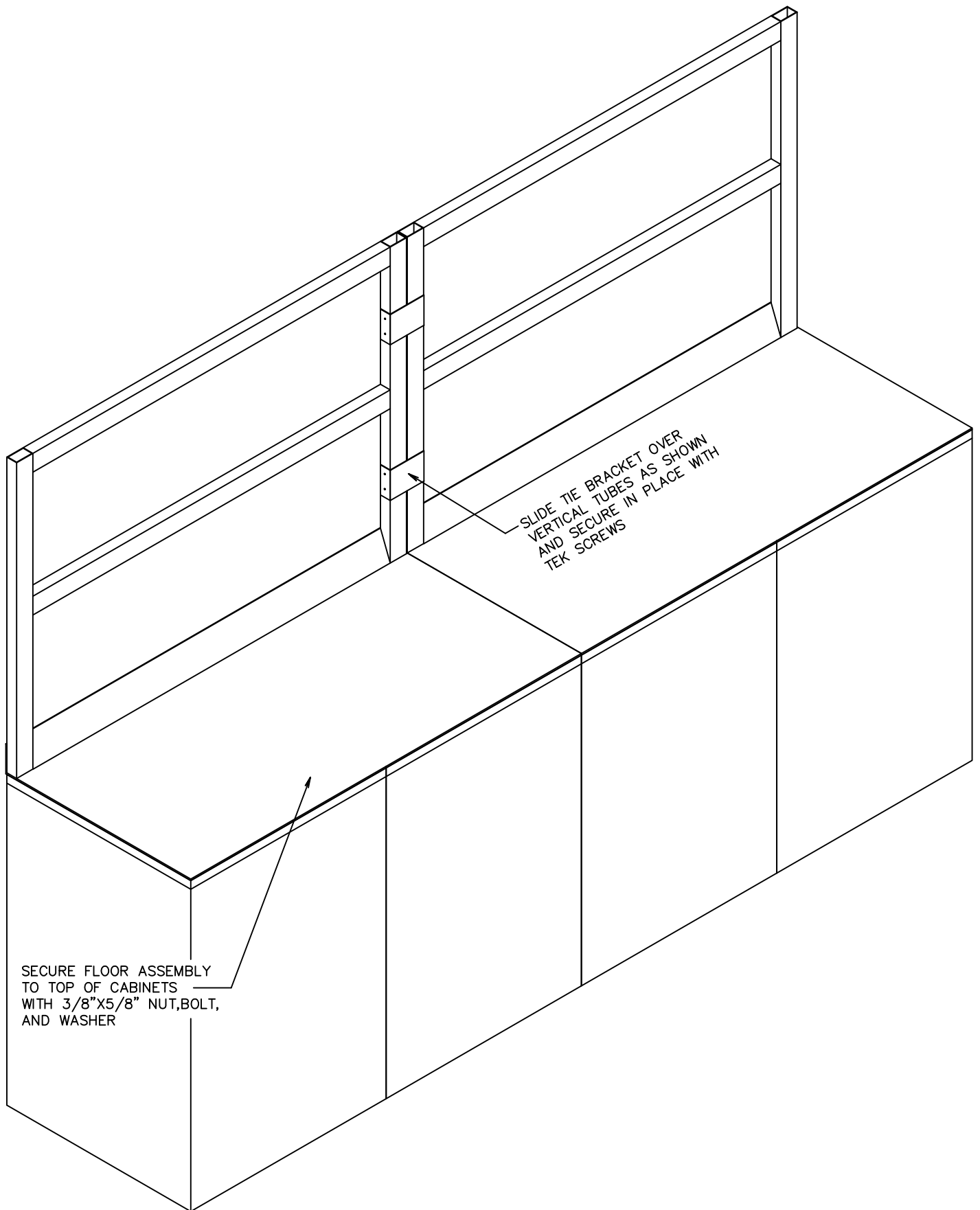
NOTE:  
 INSTALLER TO DRILL HOLE PATTERN  
 IN SIDE OF CABINET FOR STAIRWAY  
 ATTACHMENT. HOLES SHOWN ON LEFT  
 OF CABINET. IF STAIR ON OPPOSITE  
 SIDE, HOLES TO BE DRILLED ON RIGHT  
 SIDE OF CABINET.



PUNCHING LOCATION ON CABINET  
 FOR STAIR ATTACHMENT ANGLES

REVISED	DATE	FACTORY NOTE-- ALL DIMENSIONS SHOWN ARE TO BE HELD TO $\pm 1/32"$ ON FORMATIONS $\pm 1/64"$ ON HOLE CTRS. UNLESS OTHERWISE SPECIFIED.	ALL SHARP BURR OR SHEARED EDGES TO BE REMOVED WHERE NOTED.	LYON MSS II CABINETS	THIS DRAWING IN BOOK NUMBER <b>5</b>	LYON METAL PRODUCTS, INC.		
						DRAWN BY ALEX	DATE 7-16-99	SHT. # <b>1</b>

4889

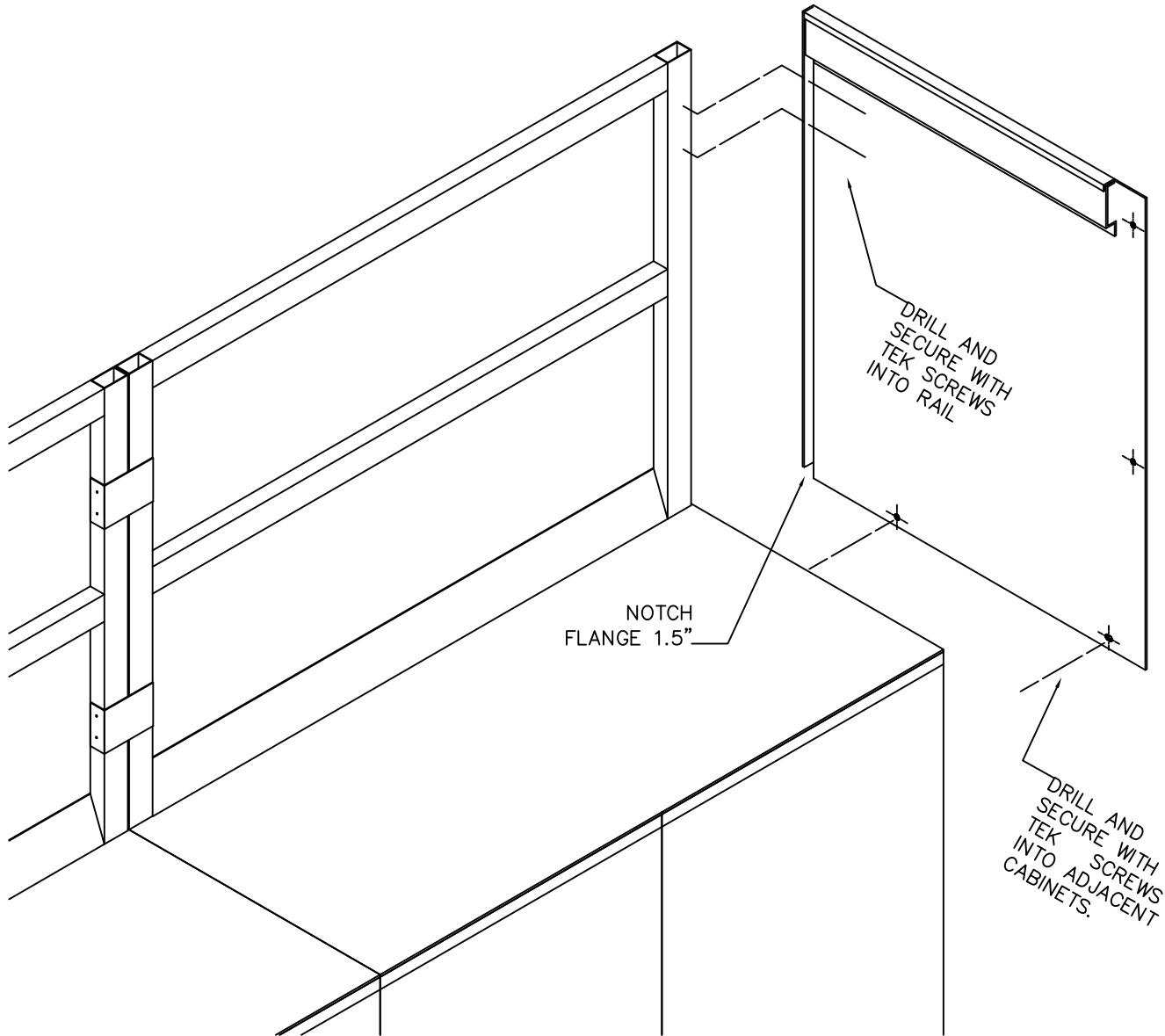
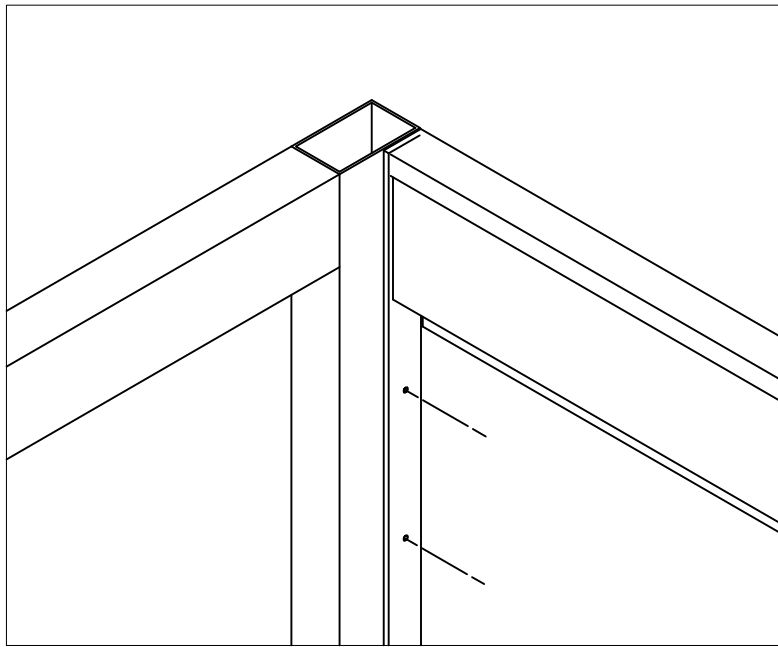


SECURE FLOOR ASSEMBLY  
TO TOP OF CABINETS  
WITH 3/8"X5/8" NUT,BOLT,  
AND WASHER

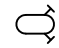
SLIDE TIE BRACKET OVER  
VERTICAL TUBES AS SHOWN  
AND SECURE IN PLACE WITH  
TEK SCREWS

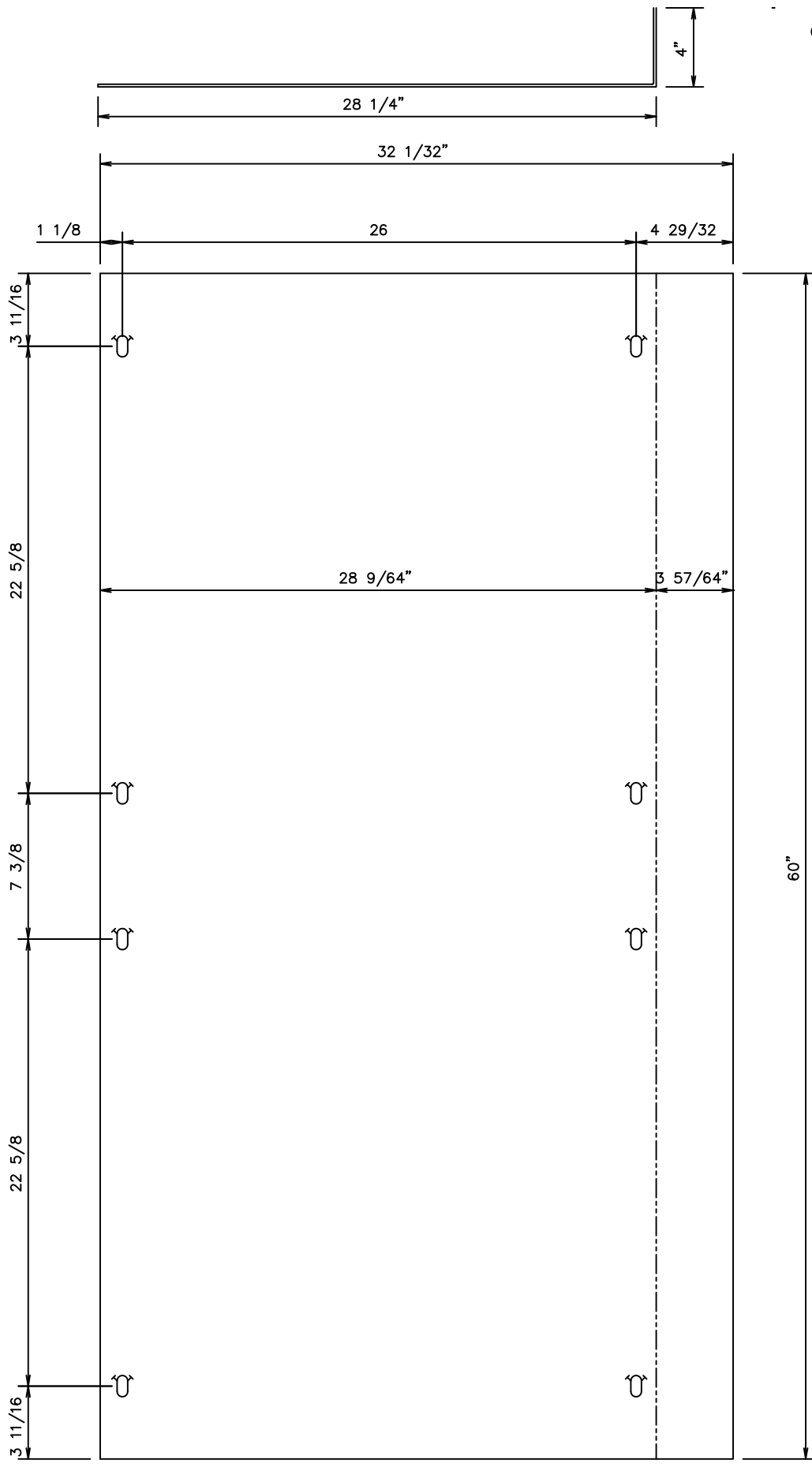
REVISED	DATE	FACTORY NOTE--		THIS DRAWING IN BOOK NUMBER	LYON METAL PRODUCTS, INC.		
ECN# E-061599-01	06-30-99	ALL DIMENSIONS SHOWN ARE TO BE HELD TO 01/32" ON FORMATIONS 01/64" ON HOLE CTRS. UNLESS OTHERWISE SPECIFIED.	ALL SHARP BURR OR SHEARED EDGES TO BE REMOVED WHERE NOTED.		DRAWN BY AM	DATE 6-30-99	SHT. #
				5	4891	1	

MSSII WALKWAYS  
60" FLOOR ASSY



REVISED	DATE	FACTORY NOTE--		THIS DRAWING IN BOOK NUMBER <b>5</b>	LYON METAL PRODUCTS, INC.	
ECN# E-061599-01	06-30-99	ALL DIMENSIONS SHOWN ARE TO BE HELD TO $01/32$ " ON FORMATIONS $01/64$ " ON HOLE CTRS. UNLESS OTHERWISE SPECIFIED.	ALL SHARP BURR OR SHEARED EDGES TO BE REMOVED WHERE NOTED.		DRAWN BY AM	DATE 6-30-99
MSSII WALKWAYS 60" FLOOR ASSY				4892		1

 7/16" X 7/8" SLOT



10 GA (HR) 60"W FLOOR  
 FOR MSSII WALKWAYS  
 PART NUMBER: 4881P11

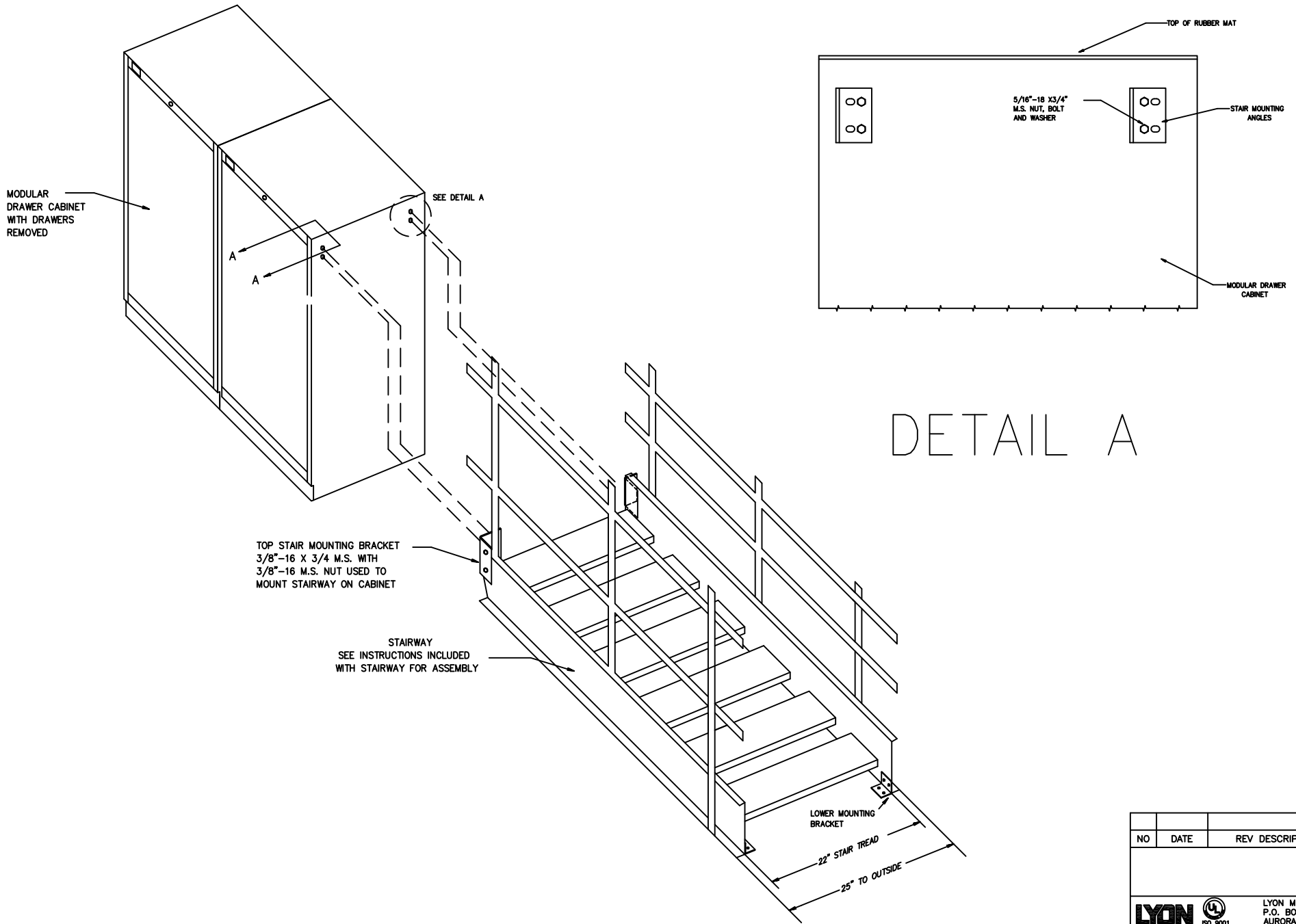
REVISED	DATE

FACTORY NOTE--  
 ALL DIMENSIONS SHOWN ARE TO BE HELD TO  $\pm 1/32"$  ON FORMATIONS  $\pm 1/64"$  ON HOLE CTRS. UNLESS OTHERWISE SPECIFIED.  
 ALL SHARP BURR OR SHEARED EDGES TO BE REMOVED WHERE NOTED.

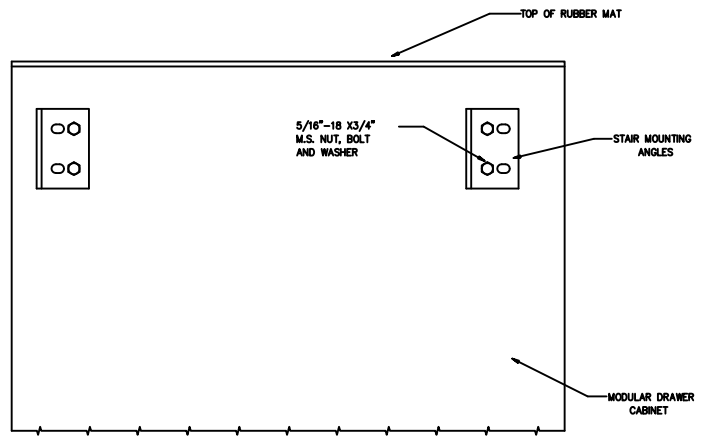
MSSII WALKWAYS  
 60" FLOOR

THIS DRAWING IN BOOK NUMBER  
**5**


LYON METAL PRODUCTS, INC.		
DRAWN BY	DATE	SHT. #
AM	6-30-99	1
4881P11		1



# DETAIL A



STAIR MOUNTING ON MODULAR DRAWER CABINET

NO	DATE	REV DESCRIPTION	BY
 <b>LYON</b> METAL PRODUCTS P.O. BOX 671 AURORA, IL 60507 630-892-8941			
DRAWN BY:		DATE:	
SCALE:			
DWG NO: 4890			