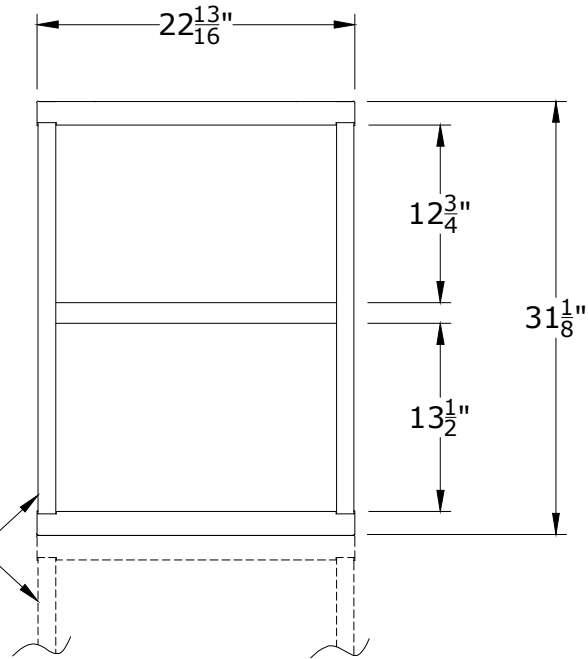


PART NUMBER OPTIONS;

N35223010500N

FEATURES;

BASE SHELF AND ADJUSTABLE SHELF @ 3/4" O.C.
FLAT BOTTOM ATTACHES DIRECTLY TO CABINET TOP BELOW
SHIPPED PRE-ASSEMBLED TO LOWER CABINET IF ORDERED TOGETHER



CABINET DEPTH @ 28-1/4"
w/ 400lb. CAPACITY SHELVES
EACH @ 22-5/16"W x 25"D USABLE

LYON P.O. Box 671
AURORA, IL 60507-0671
PHONE: 800-323-0082
www.lyonworkspace.com

NOTICE: THIS DOCUMENT IS CONFIDENTIAL AND PROPRIETARY. NO PART OF THIS DOCUMENT MAY BE DISCLOSED TO A THIRD PARTY WITHOUT THE PRIOR WRITTEN CONSENT OF LYON LLC

DATE 07/27/17	DRAWN BY JR	CHECKED BY DWV
------------------	----------------	-------------------

DESCRIPTION

PRE-ENGINEERED
OVERHEAD UNIT
BENCH - SLENDER

SHEET	DRAWING NUMBER 3522301050	REV 1
-------	------------------------------	----------