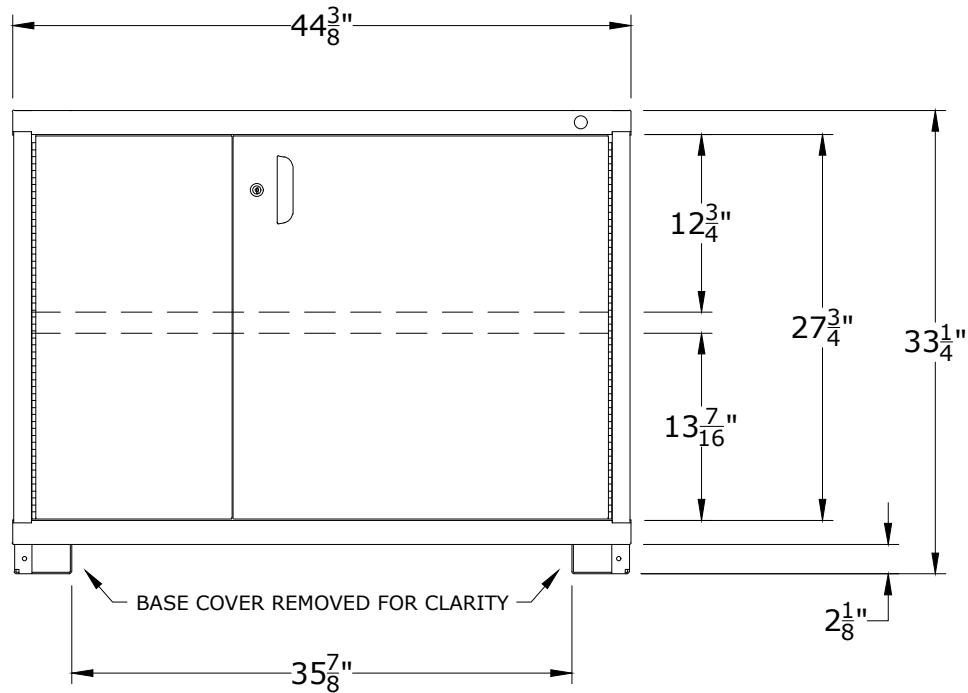


PART NUMBER OPTIONS;

**N35453010060L=LOCKABLE SWING DOOR**  
**N35453010060N=NO LOCKING SYSTEM**

FEATURES;

BASE SHELF AND ADJUSTABLE SHELF BEHIND LOCKABLE SWING DOOR



CABINET DEPTH @ 28-1/4" w/  
 400lb. CAPACITY SHELVES  
 EACH @ 42-7/8"W x 25"D USABLE

**LYON** P.O. Box 671  
 AURORA, IL 60507-0671  
 PHONE: 800-323-0082  
 www.lyonworkspace.com

NOTICE: THIS DOCUMENT IS CONFIDENTIAL AND PROPRIETARY. NO PART OF THIS DOCUMENT MAY BE DISCLOSED TO A THIRD PARTY WITHOUT THE PRIOR WRITTEN CONSENT OF LYON LLC

DATE 07/06/17	DRAWN BY JR	CHECKED BY DWV
------------------	----------------	-------------------

DESCRIPTION

**PRE-ENGINEERED  
 SHELF CABINET  
 BENCH - EXTRA**

SHEET	DRAWING NUMBER 3545301006	REV 1
-------	------------------------------	----------