

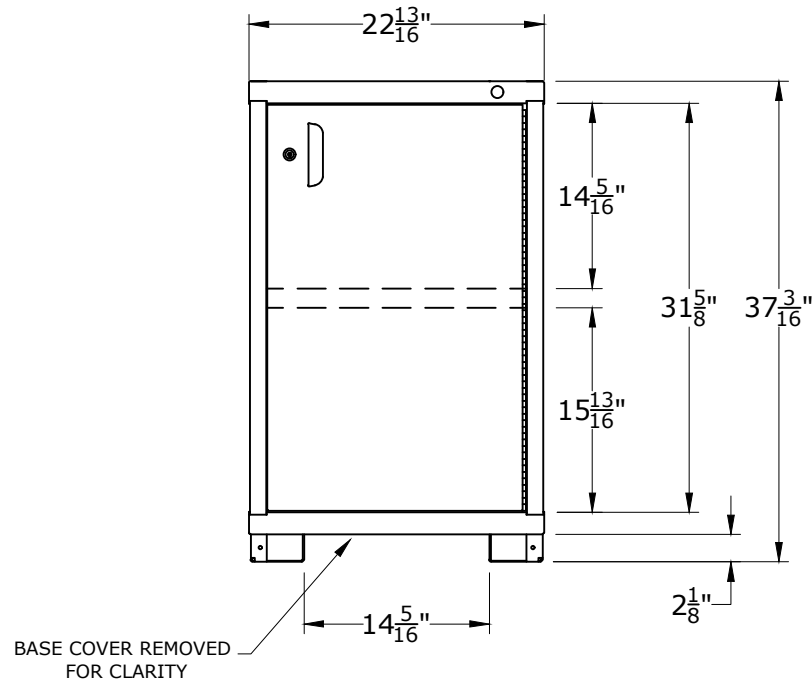
PART NUMBER OPTIONS;

**N40223010080L** = LOCKABLE SWING DOOR

**N40223010080N** = NO LOCKING SYSTEM

FEATURES;

BASE SHELF AND ADJUSTABLE SHELF BEHIND LOCKABLE SWING DOOR



400lb. CAPACITY SHELVES  
EACH @ 22-5/16"W x 25"D USABLE

**LYON** P.O. Box 671  
AURORA, IL 60507-0671  
PHONE: 800-323-0082  
www.lyonworkspace.com

NOTICE: THIS DOCUMENT IS CONFIDENTIAL AND PROPRIETARY. NO PART OF THIS DOCUMENT MAY BE DISCLOSED TO A THIRD PARTY WITHOUT THE PRIOR WRITTEN CONSENT OF LYON LLC

DATE 06-26-17	DRAWN BY JR	CHECKED BY DWV
------------------	----------------	-------------------

DESCRIPTION

PRE-ENGINEERED  
SHELF CABINET  
MID RANGE - SLENDER

SHEET	DRAWING NUMBER 4022301008	REV 1
-------	------------------------------	----------