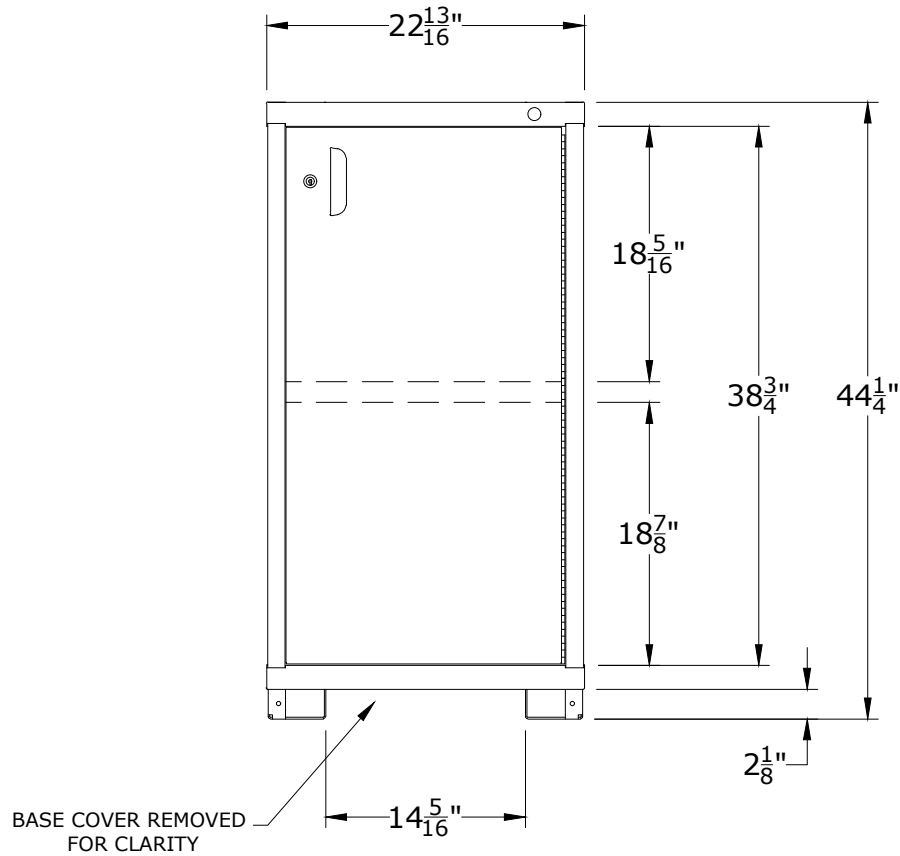


PART NUMBER OPTIONS;

N49223010210L=LOCKABLE SWING DOOR
N49223010210N=NO LOCKING SYSTEM

FEATURES;

BASE SHELF AND ADJUSTABLE SHELF BEHIND LOCKABLE SWING DOOR



CABINET DEPTH @ $28\frac{1}{4}$ " w/
400lb. CAPACITY SHELVES
EACH @ $22\frac{5}{16}$ "W x 25"D USABLE

LYON P.O. Box 671
AURORA, IL 60507-0671
PHONE: 800-323-0082
www.lyonworkspace.com

NOTICE: THIS DOCUMENT IS CONFIDENTIAL AND PROPRIETARY. NO PART OF THIS DOCUMENT MAY BE DISCLOSED TO A THIRD PARTY WITHOUT THE PRIOR WRITTEN CONSENT OF LYON LLC

DATE	DRAWN BY	CHECKED BY
07/10/17	JR	DWV

DESCRIPTION

**PRE-ENGINEERED
SHELF CABINET
COUNTER - SLENDER**

SHEET	DRAWING NUMBER	REV
	4922301021	1