

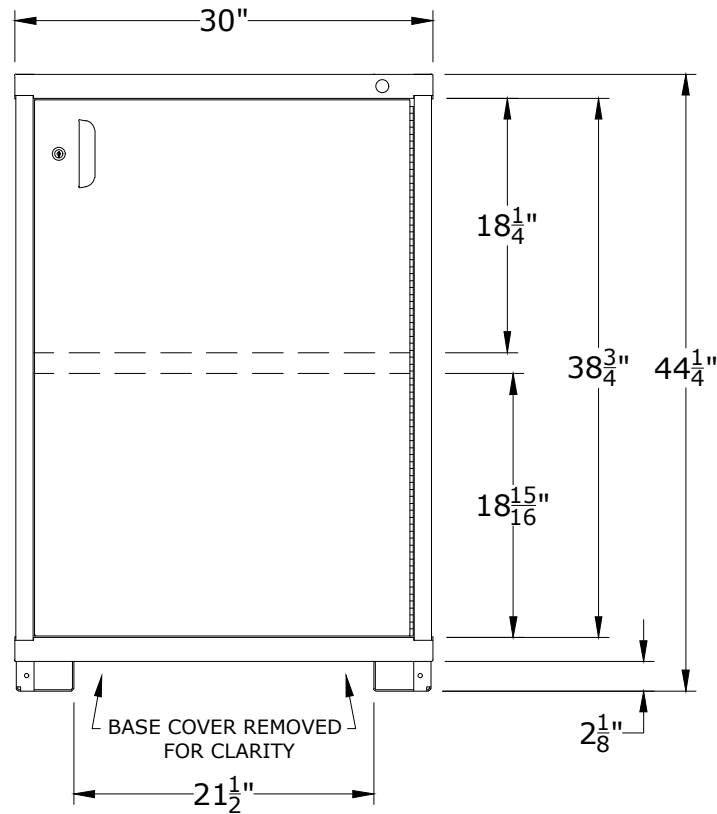
PART NUMBER OPTIONS;

**N49303010210L** = LOCKABLE SWING DOOR


**N49303010210N** = NO LOCKING SYSTEM

FEATURES;

BASE SHELF AND ADJUSTABLE SHELF BEHIND LOCKABLE SWING DOOR



CABINET DEPTH @ 28-1/4" w/  
400lb. CAPACITY SHELVES  
EACH @ 28-1/2"W x 25"D USABLE

		P.O. Box 671 AURORA, IL 60507-0671 PHONE: 800-323-0082 www.lyonworkspace.com	
		NOTICE: THIS DOCUMENT IS CONFIDENTIAL AND PROPRIETARY. NO PART OF THIS DOCUMENT MAY BE DISCLOSED TO A THIRD PARTY WITHOUT THE PRIOR WRITTEN CONSENT OF LYON LLC	
DATE	DRAWN BY	CHECKED BY	
07/05/17	JR	DWV	
DESCRIPTION			
PRE-ENGINEERED SHELF CABINET MID RANGE - STANDARD			
SHEET	DRAWING NUMBER	REV	
	4930301021	1	