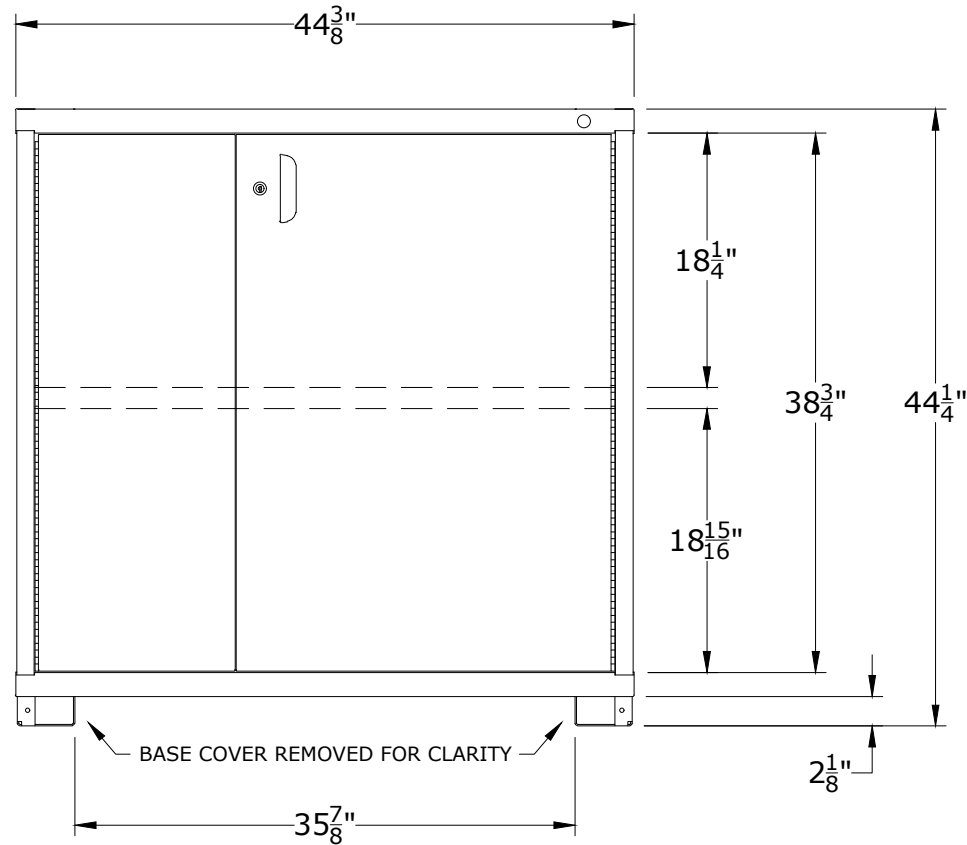


PART NUMBER OPTIONS;

N49453010210L=LOCKABLE SWING DOOR
N49453010210N=NO LOCKING SYSTEM

FEATURES;

BASE SHELF AND ADJUSTABLE SHELF BEHIND LOCKABLE SWING DOOR



CABINET DEPTH @ 28-1/4" w/
400lb. CAPACITY SHELVES
EACH @ 42-7/8"W x 25"D USABLE

LYON P.O. Box 671
AURORA, IL 60507-0671
PHONE: 800-323-0082
www.lyonworkspace.com

NOTICE: THIS DOCUMENT IS CONFIDENTIAL AND PROPRIETARY. NO PART OF THIS DOCUMENT MAY BE DISCLOSED TO A THIRD PARTY WITHOUT THE PRIOR WRITTEN CONSENT OF LYON LLC

DATE	DRAWN BY	CHECKED BY
07/10/17	JR	DWV

DESCRIPTION

PRE-ENGINEERED
SHELF CABINET
COUNTER - EXTRA

SHEET	DRAWING NUMBER	REV
	4945301021	1