

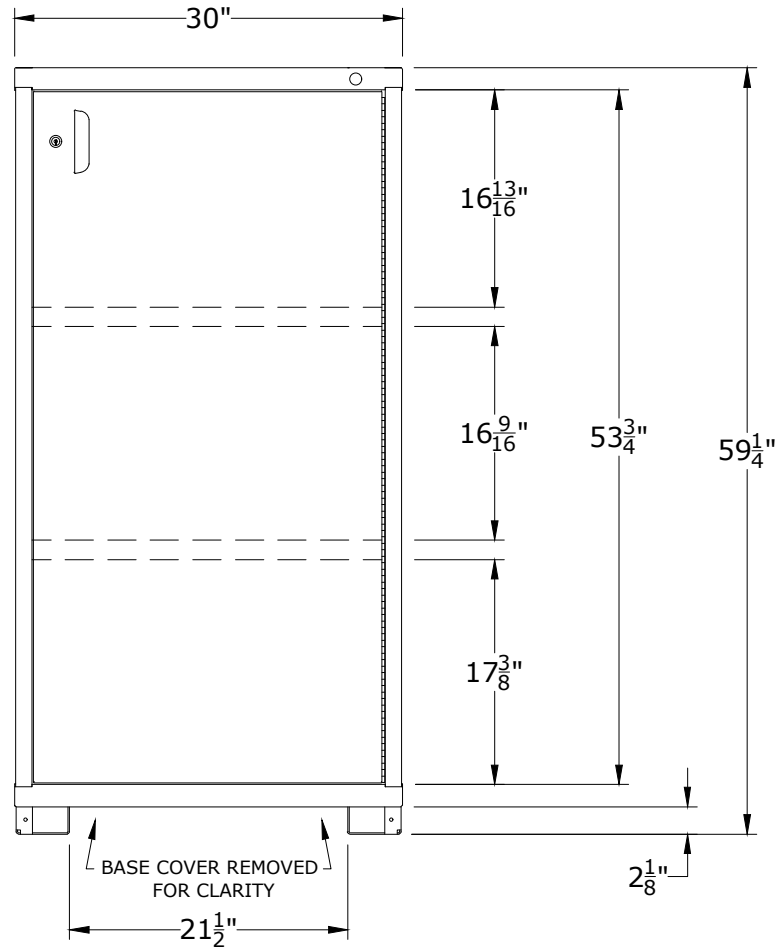
PART NUMBER OPTIONS;

N68303010220L = LOCKABLE SWING DOOR

N68303010220N = NO LOCKING SYSTEM

FEATURES;

BASE SHELF AND TWO (2) ADJUSTABLE SHELVES BEHIND LOCKABLE SWING DOOR



CABINET DEPTH @ 28-1/4" w/
400lb. CAPACITY SHELVES
EACH @ 28-1/2"W x 25"D USABLE

LYON			P.O. Box 671 AURORA, IL 60507-0671 PHONE: 800-323-0082 www.lyonworkspace.com
NOTICE: THIS DOCUMENT IS CONFIDENTIAL AND PROPRIETARY. NO PART OF THIS DOCUMENT MAY BE DISCLOSED TO A THIRD PARTY WITHOUT THE PRIOR WRITTEN CONSENT OF LYON LLC			
DATE 07/13/17	DRAWN BY JR	CHECKED BY DWV	
DESCRIPTION PRE-ENGINEERED SHELF CABINET EYE LEVEL - STANDARD			
SHEET	DRAWING NUMBER 6830301022	REV 1	