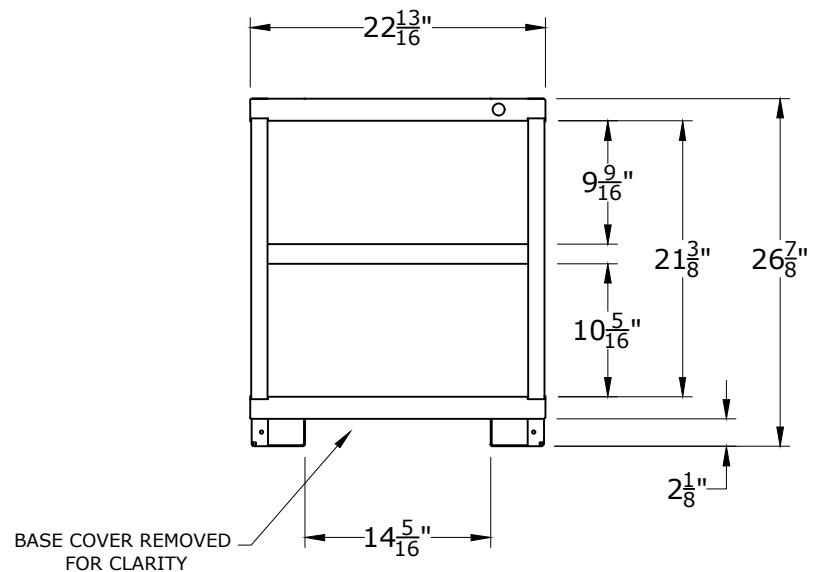


PART NUMBER OPTIONS;

N27223010030N

FEATURES;

BASE SHELF AND ADJUSTABLE SHELF



CABINET DEPTH @ 28-1/4"
w/ 400lb. CAPACITY SHELVES
EACH @ 22-5/16"W x 25"D USABLE

LYON			P.O. Box 671 AURORA, IL 60507-0671 PHONE: 800-323-0082 www.lyonworkspace.com
<small>NOTICE: THIS DOCUMENT IS CONFIDENTIAL AND PROPRIETARY. NO PART OF THIS DOCUMENT MAY BE DISCLOSED TO A THIRD PARTY WITHOUT THE PRIOR WRITTEN CONSENT OF LYON LLC</small>			
DATE 06-29-17	DRAWN BY JR	CHECKED BY DWV	
DESCRIPTION			
PRE-ENGINEERED SHELF CABINET DESK - SLENDER			
SHEET 1	DRAWING NUMBER 2722301003	REV 1	