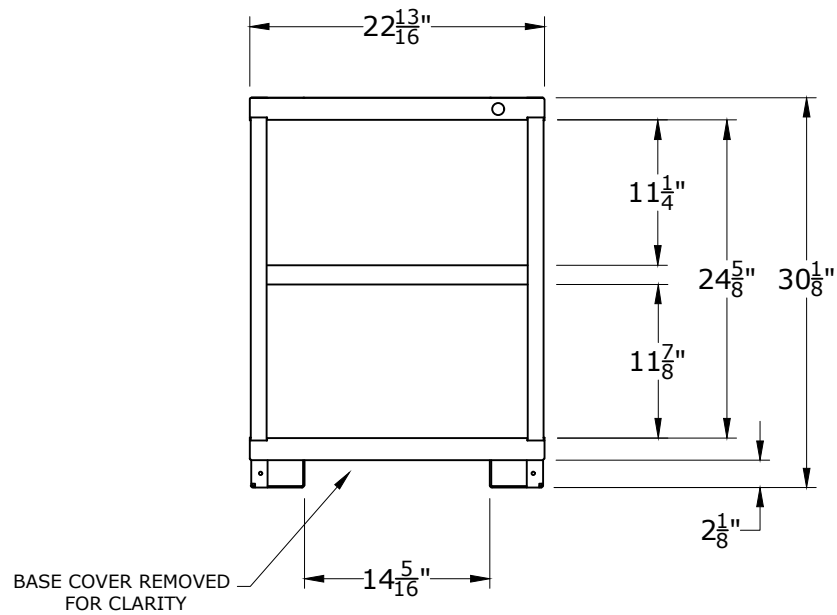


PART NUMBER OPTIONS;

N31223010080N

FREATURES;

BASE SHELF AND ADJUSTABLE SHELF



400lb. CAPACITY SHELVES
EACH @ 22-5/16"W x 25"D USABLE

LYON P.O. Box 671
AURORA, IL 60507-0671
PHONE: 800-323-0082
www.lyonworkspace.com

NOTICE: THIS DOCUMENT IS CONFIDENTIAL AND PROPRIETARY. NO PART OF THIS DOCUMENT MAY BE DISCLOSED TO A THIRD PARTY WITHOUT THE PRIOR WRITTEN CONSENT OF LYON LLC

DATE	DRAWN BY	CHECKED BY
06/26/17	JR	DWV

DESCRIPTION

PRE-ENGINEERED
SHELF CABINET
TABLE - SLENDER

SHEET	DRAWING NUMBER	REV
	3122301008	1