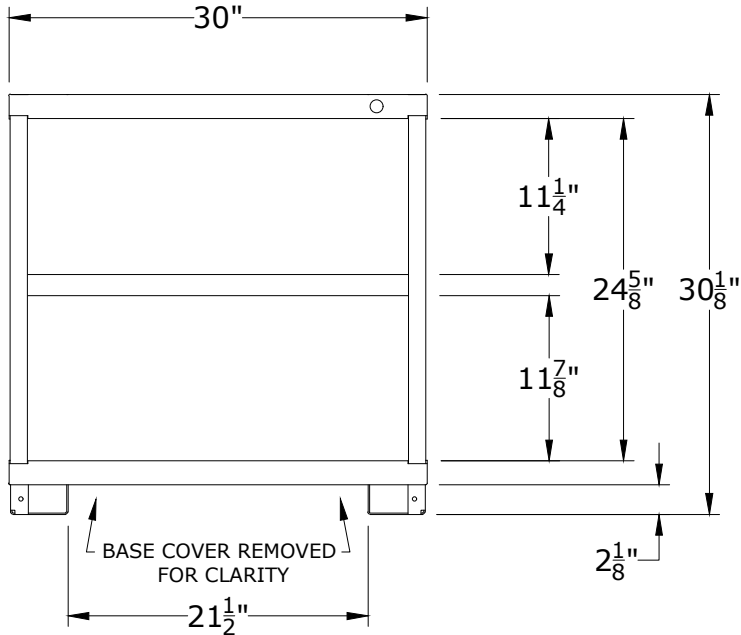


PART NUMBER OPTIONS;


N31303010080N

FEATURES;

BASE SHELF AND ADJUSTABLE SHELF



CABINET DEPTH @ 28-1/4" w/
400lb. CAPACITY SHELVES
EACH @ 28-1/2"W x 25"D USABLE

 P.O. Box 671 AURORA, IL 60507-0671 PHONE: 800-323-0082 www.lyonworkspace.com		
NOTICE: THIS DOCUMENT IS CONFIDENTIAL AND PROPRIETARY. NO PART OF THIS DOCUMENT MAY BE DISCLOSED TO A THIRD PARTY WITHOUT THE PRIOR WRITTEN CONSENT OF LYON LLC		
DATE 07/05/17	DRAWN BY JR	CHECKED BY DWV
DESCRIPTION PRE-ENGINEERED SHELF CABINET TABLE - STANDARD		
SHEET	DRAWING NUMBER 3130301008	REV 1