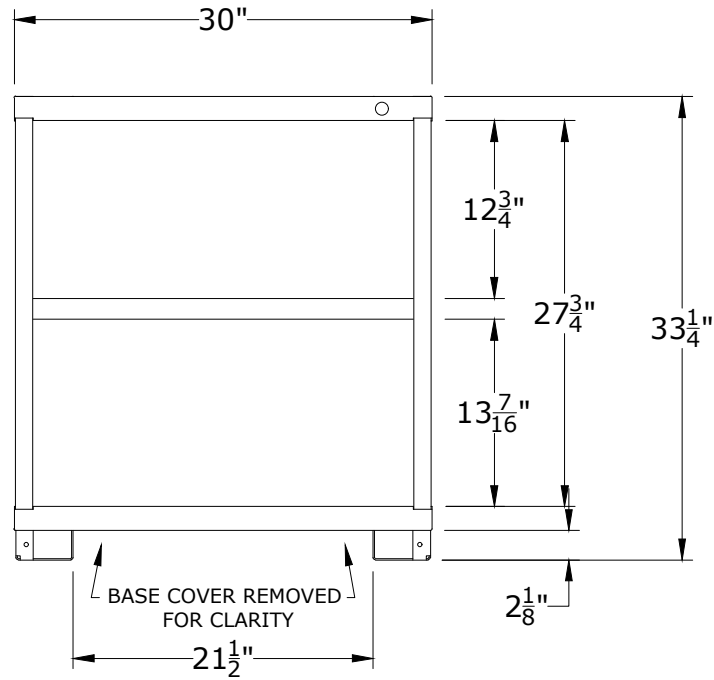


PART NUMBER OPTIONS;

**N35303010130N**

FEATURES;

BASE SHELF AND ADJUSTABLE SHELF



CABINET DEPTH @ 28-1/4" w/  
400lb. CAPACITY SHELVES  
EACH @ 28-1/2"W x 25"D USABLE

**LYON** P.O. Box 671  
AURORA, IL 60507-0671  
PHONE: 800-323-0082  
www.lyonworkspace.com

NOTICE: THIS DOCUMENT IS CONFIDENTIAL AND PROPRIETARY. NO PART OF THIS DOCUMENT MAY BE DISCLOSED TO A THIRD PARTY WITHOUT THE PRIOR WRITTEN CONSENT OF LYON LLC

DATE 07/05/17	DRAWN BY JR	CHECKED BY DWV
------------------	----------------	-------------------

DESCRIPTION

**PRE-ENGINEERED  
SHELF CABINET  
BENCH - STANDARD**

SHEET	DRAWING NUMBER 3530301013	REV 1
-------	------------------------------	----------