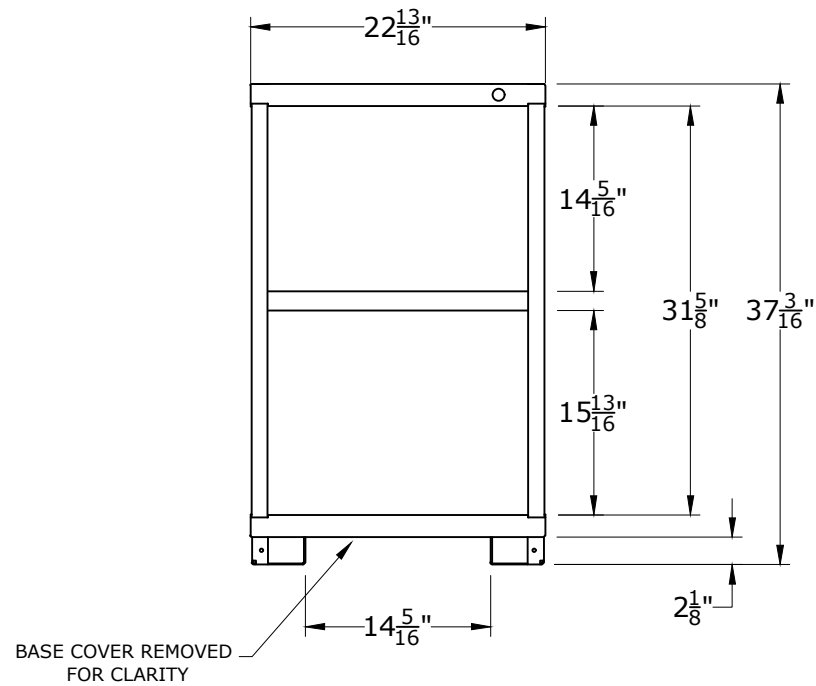


PART NUMBER OPTIONS;

**N40223010090N**

FEATURES;

BASE SHELF AND ADJUSTABLE SHELF



400lb. CAPACITY SHELVES  
EACH @  $22\text{-}5\frac{13}{16}\text{'W} \times 25\text{'D}$  USABLE

<b>LYON</b>			P.O. Box 671 AURORA, IL 60507-0671 PHONE: 800-323-0082 www.lyonworkspace.com
NOTICE: THIS DOCUMENT IS CONFIDENTIAL AND PROPRIETARY. NO PART OF THIS DOCUMENT MAY BE DISCLOSED TO A THIRD PARTY WITHOUT THE PRIOR WRITTEN CONSENT OF LYON LLC			
DATE 06-26-17	DRAWN BY JR	CHECKED BY DWV	
DESCRIPTION  PRE-ENGINEERED SHELF CABINET MID RANGE - SLENDER			
SHEET	DRAWING NUMBER 4022301009	REV 1	