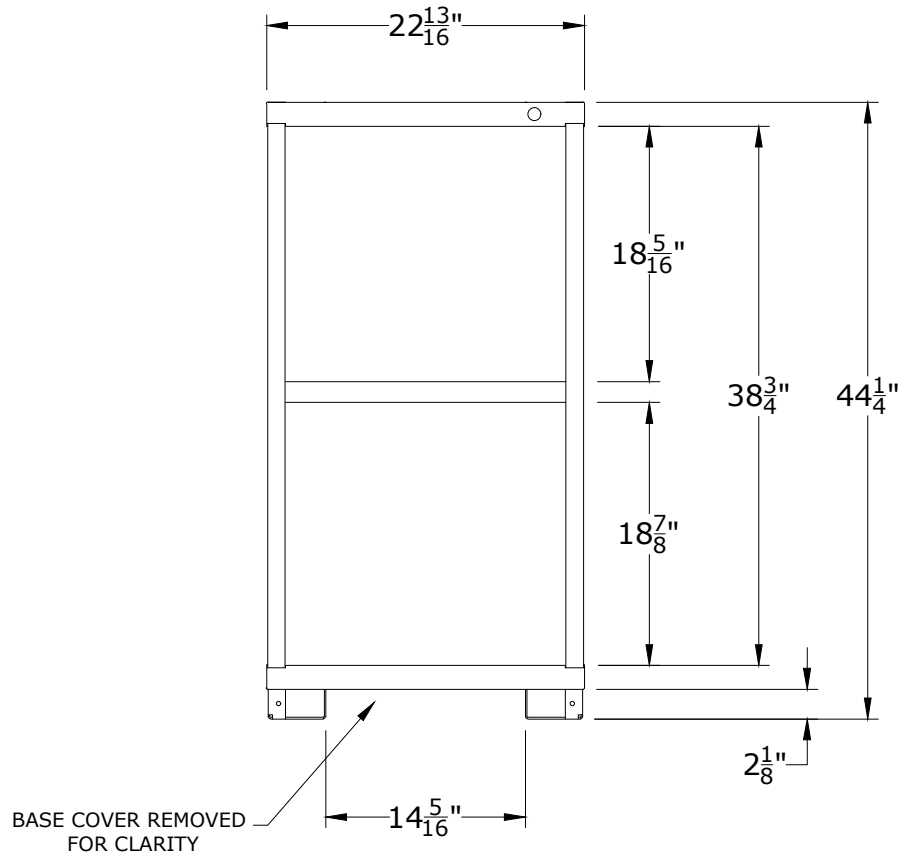


PART NUMBER OPTIONS;

**N49223010220N**

FEATURES;

BASE SHELF AND ADJUSTABLE SHELF



CABINET DEPTH @  $28\frac{1}{4}$ " w/  
400lb. CAPACITY SHELVES  
EACH @  $22\frac{5}{16}$ "W x 25"D USABLE

**LYON** P.O. Box 671  
AURORA, IL 60507-0671  
PHONE: 800-323-0082  
www.lyonworkspace.com

NOTICE: THIS DOCUMENT IS CONFIDENTIAL AND PROPRIETARY. NO PART OF THIS DOCUMENT MAY BE DISCLOSED TO A THIRD PARTY WITHOUT THE PRIOR WRITTEN CONSENT OF LYON LLC

DATE 07/10/17	DRAWN BY JR	CHECKED BY DWV
------------------	----------------	-------------------

DESCRIPTION

PRE-ENGINEERED  
SHELF CABINET  
COUNTER - SLENDER

SHEET	DRAWING NUMBER 4922301022	REV 1
-------	------------------------------	----------