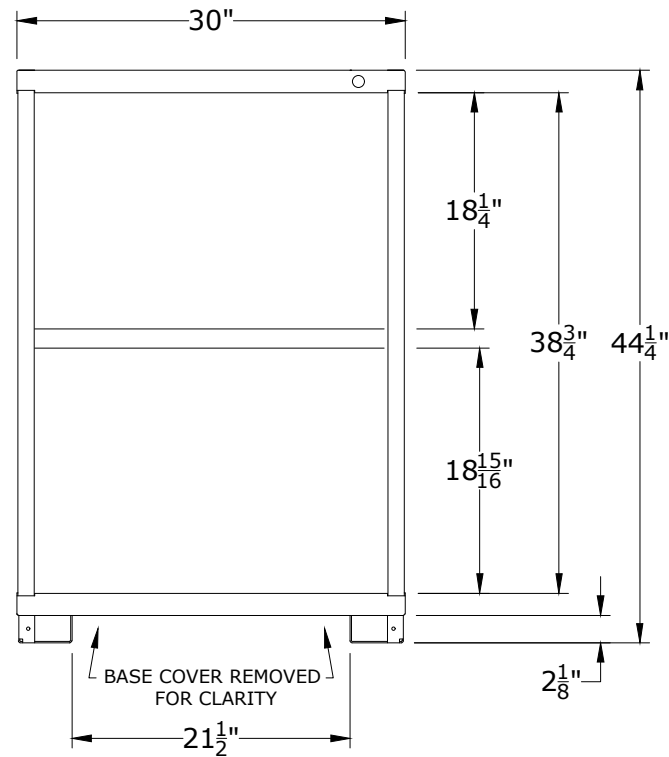


PART NUMBER OPTIONS;

N49303010220N

FEATURES;

BASE SHELF AND ADJUSTABLE SHELF



CABINET DEPTH @ 28-1/4" w/
400Lb. CAPACITY SHELVES
EACH @ 28-1/2"W x 25"D USABLE

LYON			P.O. Box 671 AURORA, IL 60507-0671 PHONE: 800-323-0082 www.lyonworkspace.com
NOTICE: THIS DOCUMENT IS CONFIDENTIAL AND PROPRIETARY. NO PART OF THIS DOCUMENT MAY BE DISCLOSED TO A THIRD PARTY WITHOUT THE PRIOR WRITTEN CONSENT OF LYON LLC			
DATE 07/06/17	DRAWN BY JR	CHECKED BY DWV	
DESCRIPTION PRE-ENGINEERED SHELF CABINET MID RANGE - STANDARD			
SHEET	DRAWING NUMBER 4930301022	REV 1	