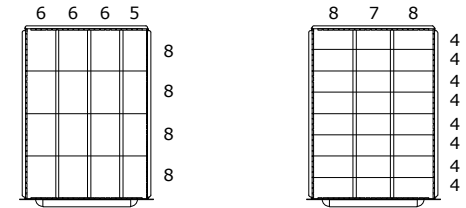


COMPARTMENT SIZE	3	4	5	6	7	8	9	10	11	12	13	14	15	16
DIMENSION (CLEAR)	1 $\frac{7}{8}$ "	2 $\frac{11}{16}$ "	3 $\frac{1}{2}$ "	4 $\frac{1}{4}$ "	5 $\frac{1}{16}$ "	5 $\frac{7}{8}$ "	6 $\frac{11}{16}$ "	7 $\frac{1}{2}$ "	8 $\frac{1}{4}$ "	9 $\frac{1}{16}$ "	9 $\frac{7}{8}$ "	10 $\frac{11}{16}$ "	11 $\frac{1}{2}$ "	12 $\frac{1}{4}$ "

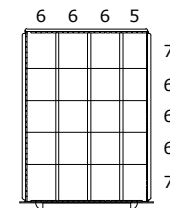
**PART NUMBER OPTIONS:**

- S31223010010L** = SINGLE DRAWER ACCESS / NO LAYOUTS
- S31223010011L** = SINGLE DRAWER ACCESS / LAYOUTS FACTORY INSTALLED
- M31223010010L** = MULTIPLE DRAWER ACCESS / NO LAYOUTS
- M31223010011L** = MULTIPLE DRAWER ACCESS / LAYOUTS FACTORY INSTALLED
- N31223010010N** = NO LOCKING SYSTEM / NO LAYOUTS
- N31223010011N** = NO LOCKING SYSTEM / LAYOUTS FACTORY INSTALLED

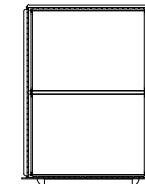


**DRAWER LAYOUT "0P"**  
16 COMPARTMENTS

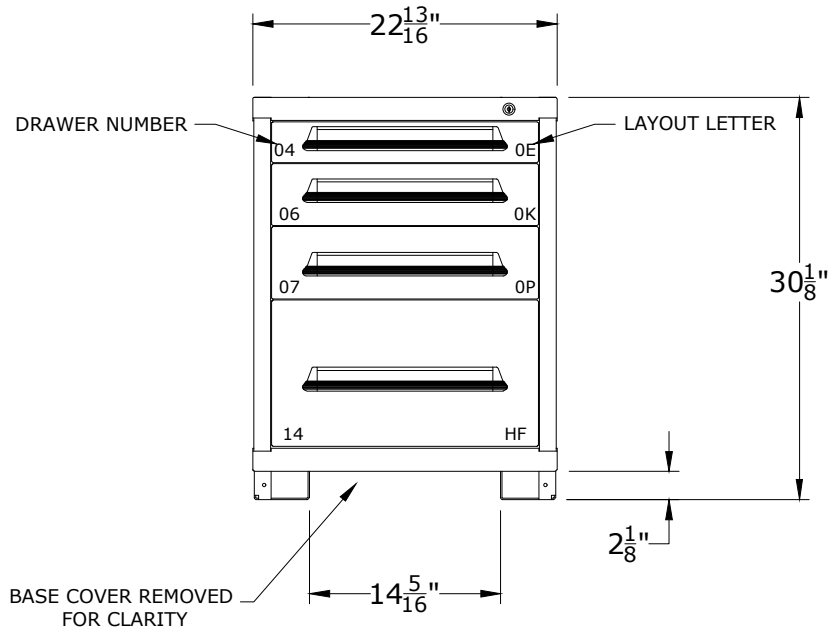
**DRAWER LAYOUT "0E"**  
24 COMPARTMENTS



**DRAWER LAYOUT "0K"**  
20 COMPARTMENTS



**DRAWER LAYOUT "HF"**  
(2) HANGING FILE FRAMES



CABINET DEPTH @ 28-1/4" w/  
FULL EXTENSION, 450lb. CAPACITY DRAWERS  
EACH @ 17-15/16"W x 25-1/8"D USABLE

\*OTHER LOCK OPTIONS AVAILABLE, CONTACT FOR DETAILS

DRAWER NUMBER	04	05	06	07	08	09	10	11	12	13	14	15	16	17	18
USABLE HEIGHT	2 $\frac{1}{4}$ "	3"	3 $\frac{7}{8}$ "	4 $\frac{5}{8}$ "	5 $\frac{3}{8}$ "	6 $\frac{1}{4}$ "	7"	7 $\frac{3}{4}$ "	8 $\frac{1}{2}$ "	9 $\frac{3}{8}$ "	10 $\frac{1}{8}$ "	10 $\frac{7}{8}$ "	11 $\frac{3}{4}$ "	12 $\frac{1}{2}$ "	13 $\frac{1}{4}$ "

<div style="display: inline-block; vertical-align: middle; margin-left: 10px;"> P.O. Box 671  AURORA, IL 60507-0671  PHONE: 800-323-0082  www.lyonworkspace.com </div>		
NOTICE: THIS DOCUMENT IS CONFIDENTIAL AND PROPRIETARY. NO PART OF THIS DOCUMENT MAY BE DISCLOSED TO A THIRD PARTY WITHOUT THE PRIOR WRITTEN CONSENT OF LYON LLC		
DATE 06/19/17	DRAWN BY JR	CHECKED BY DWV
DESCRIPTION <b>PRE-ENGINEERED CABINET TABLE - SLENDER</b> (4) DRAWERS (62) COMPARTMENTS		
SHEET	DRAWING NUMBER 3122301001	REV 1