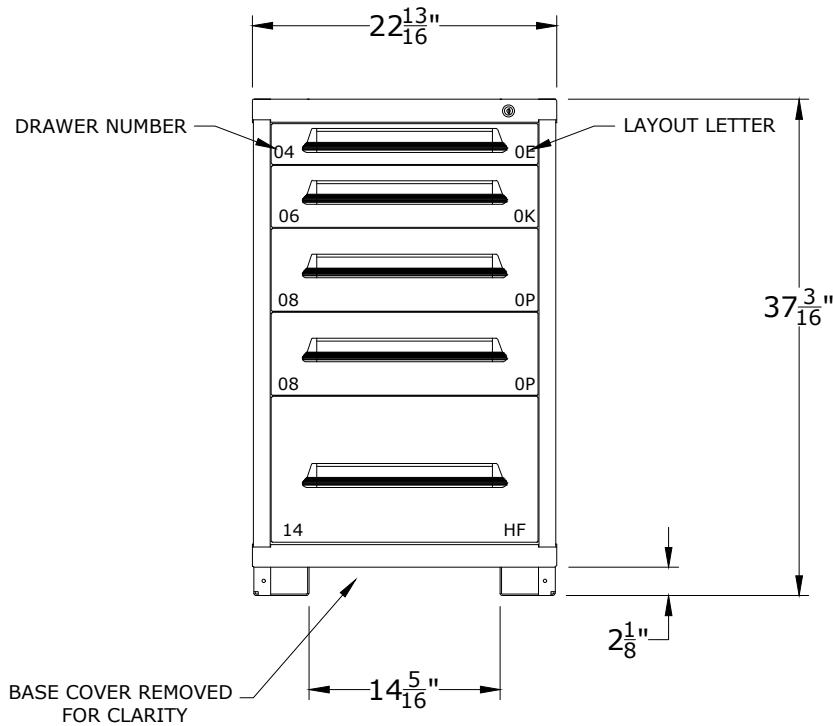


COMPARTMENT SIZE	3	4	5	6	7	8	9	10	11	12	13	14	15	16
DIMENSION (CLEAR)	1 $\frac{7}{8}$ "	2 $\frac{11}{16}$ "	3 $\frac{1}{2}$ "	4 $\frac{1}{4}$ "	5 $\frac{1}{16}$ "	5 $\frac{7}{8}$ "	6 $\frac{11}{16}$ "	7 $\frac{1}{2}$ "	8 $\frac{1}{4}$ "	9 $\frac{1}{16}$ "	9 $\frac{7}{8}$ "	10 $\frac{11}{16}$ "	11 $\frac{1}{2}$ "	12 $\frac{1}{4}$ "

PART NUMBER OPTIONS;

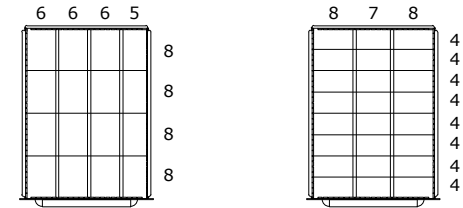
- S40223010130L** = SINGLE DRAWER ACCESS / NO LAYOUTS
- S40223010131L** = SINGLE DRAWER ACCESS / LAYOUTS FACTORY INSTALLED
- M40223010130L** = MULTIPLE DRAWER ACCESS / NO LAYOUTS
- M40223010131L** = MULTIPLE DRAWER ACCESS / LAYOUTS FACTORY INSTALLED
- N40223010130N** = NO LOCKING SYSTEM / NO LAYOUTS
- N40223010131N** = NO LOCKING SYSTEM / LAYOUTS FACTORY INSTALLED



CABINET DEPTH @ 28-1/4" w/
 FULL EXTENSION, 450lb. CAPACITY DRAWERS
 EACH @ 17-15/16"W x 25-1/8"D USABLE

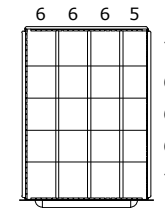
*OTHER LOCK OPTIONS AVAILABLE, CONTACT FOR DETAILS

DRAWER NUMBER	04	05	06	07	08	09	10	11	12	13	14	15	16	17	18
USABLE HEIGHT	2 $\frac{1}{4}$ "	3"	3 $\frac{7}{8}$ "	4 $\frac{5}{8}$ "	5 $\frac{3}{8}$ "	6 $\frac{1}{4}$ "	7"	7 $\frac{3}{4}$ "	8 $\frac{1}{2}$ "	9 $\frac{3}{8}$ "	10 $\frac{1}{8}$ "	10 $\frac{7}{8}$ "	11 $\frac{3}{4}$ "	12 $\frac{1}{2}$ "	13 $\frac{1}{4}$ "

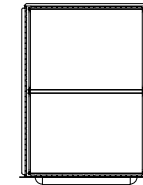


DRAWER LAYOUT "0P"
 16 COMPARTMENTS

DRAWER LAYOUT "0E"
 24 COMPARTMENTS



DRAWER LAYOUT "0K"
 20 COMPARTMENTS



DRAWER LAYOUT "HF"
 (2) HANGING FILE FRAMES

LYON P.O. Box 671
 AURORA, IL 60507-0671
 PHONE: 800-323-0082
 www.lyonworkspace.com

NOTICE: THIS DOCUMENT IS CONFIDENTIAL AND PROPRIETARY. NO PART OF THIS DOCUMENT MAY BE DISCLOSED TO A THIRD PARTY WITHOUT THE PRIOR WRITTEN CONSENT OF LYON LLC

DATE	DRAWN BY	CHECKED BY
06-19-17	JR	DWV

DESCRIPTION
**PRE-ENGINEERED CABINET
 MID RANGE - SLENDER
 (5) DRAWERS
 (78) COMPARTMENTS**

SHEET	DRAWING NUMBER	REV
	4022301013	1