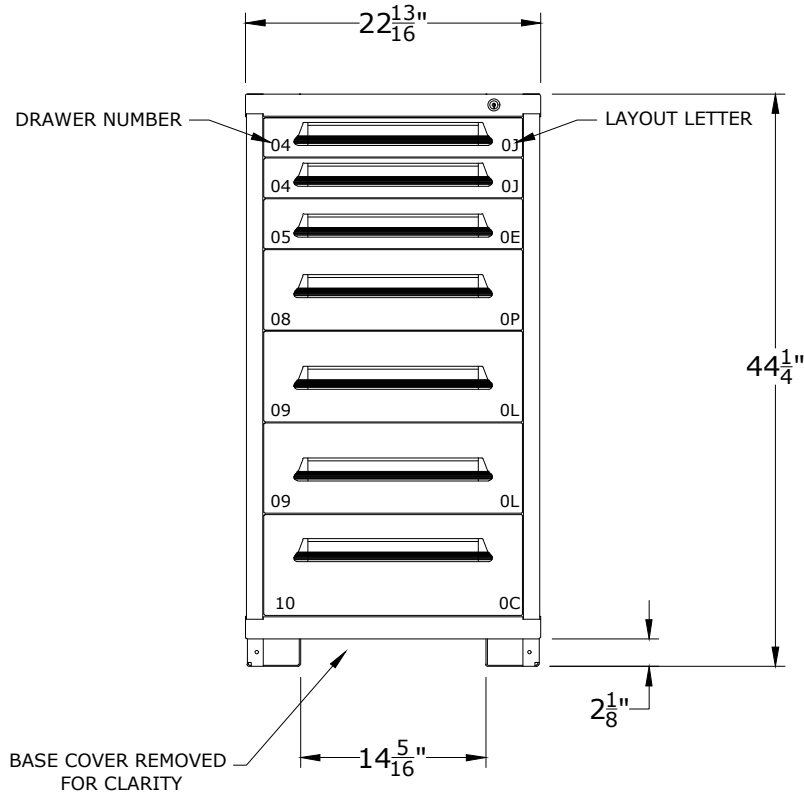


COMPARTMENT SIZE	3	4	5	6	7	8	9	10	11	12	13	14	15	16
DIMENSION (CLEAR)	1 $\frac{7}{8}$ "	2 $\frac{11}{16}$ "	3 $\frac{1}{2}$ "	4 $\frac{1}{4}$ "	5 $\frac{1}{16}$ "	5 $\frac{7}{8}$ "	6 $\frac{11}{16}$ "	7 $\frac{1}{2}$ "	8 $\frac{1}{4}$ "	9 $\frac{1}{16}$ "	9 $\frac{7}{8}$ "	10 $\frac{11}{16}$ "	11 $\frac{1}{2}$ "	12 $\frac{1}{4}$ "

**PART NUMBER OPTIONS;**

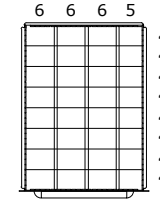
- S49223000D0L** = SINGLE DRAWER ACCESS / NO LAYOUTS
- S49223000D1L** = SINGLE DRAWER ACCESS / LAYOUTS FACTORY INSTALLED
- M49223000D0L** = MULTIPLE DRAWER ACCESS / NO LAYOUTS
- M49223000D1L** = MULTIPLE DRAWER ACCESS / LAYOUTS FACTORY INSTALLED
- N49223000D0N** = NO LOCKING SYSTEM / NO LAYOUTS
- N49223000D1N** = NO LOCKING SYSTEM / LAYOUTS FACTORY INSTALLED



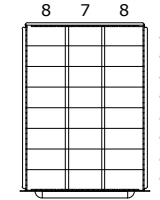
CABINET DEPTH @ 28-1/4" w/  
 FULL EXTENSION, 450lb. CAPACITY DRAWERS  
 EACH @ 17-15/16"W x 25-1/8"D USABLE

\*OTHER LOCK OPTIONS AVAILABLE, CONTACT FOR DETAILS

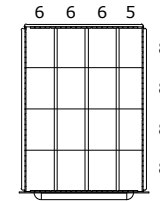
DRAWER NUMBER	04	05	06	07	08	09	10	11	12	13	14	15	16	17	18
USABLE HEIGHT	2 $\frac{1}{4}$ "	3"	3 $\frac{7}{8}$ "	4 $\frac{5}{8}$ "	5 $\frac{3}{8}$ "	6 $\frac{1}{4}$ "	7"	7 $\frac{3}{4}$ "	8 $\frac{1}{2}$ "	9 $\frac{3}{8}$ "	10 $\frac{1}{8}$ "	10 $\frac{7}{8}$ "	11 $\frac{3}{4}$ "	12 $\frac{1}{2}$ "	13 $\frac{1}{4}$ "



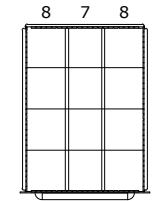
**DRAWER LAYOUT "0J"**  
 32 COMPARTMENTS



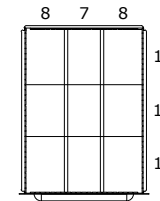
**DRAWER LAYOUT "0E"**  
 24 COMPARTMENTS



**DRAWER LAYOUT "0P"**  
 16 COMPARTMENTS



**DRAWER LAYOUT "0L"**  
 12 COMPARTMENTS



**DRAWER LAYOUT "0C"**  
 9 COMPARTMENTS

**LYON** P.O. Box 671  
 AURORA, IL 60507-0671  
 PHONE: 800-323-0082  
 www.lyonworkspace.com

NOTICE: THIS DOCUMENT IS CONFIDENTIAL AND PROPRIETARY. NO PART OF THIS DOCUMENT MAY BE DISCLOSED TO A THIRD PARTY WITHOUT THE PRIOR WRITTEN CONSENT OF LYON LLC

DATE 07/10/17	DRAWN BY JR	CHECKED BY DWW
------------------	----------------	-------------------

DESCRIPTION  
**PRE-ENGINEERED CABINET  
 COUNTER - SLENDER  
 (7) DRAWERS  
 (137) COMPARTMENTS**

SHEET	DRAWING NUMBER 49223000D	REV 1
-------	-----------------------------	----------