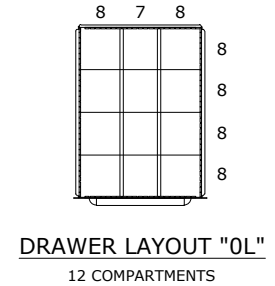
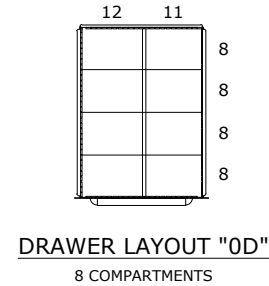
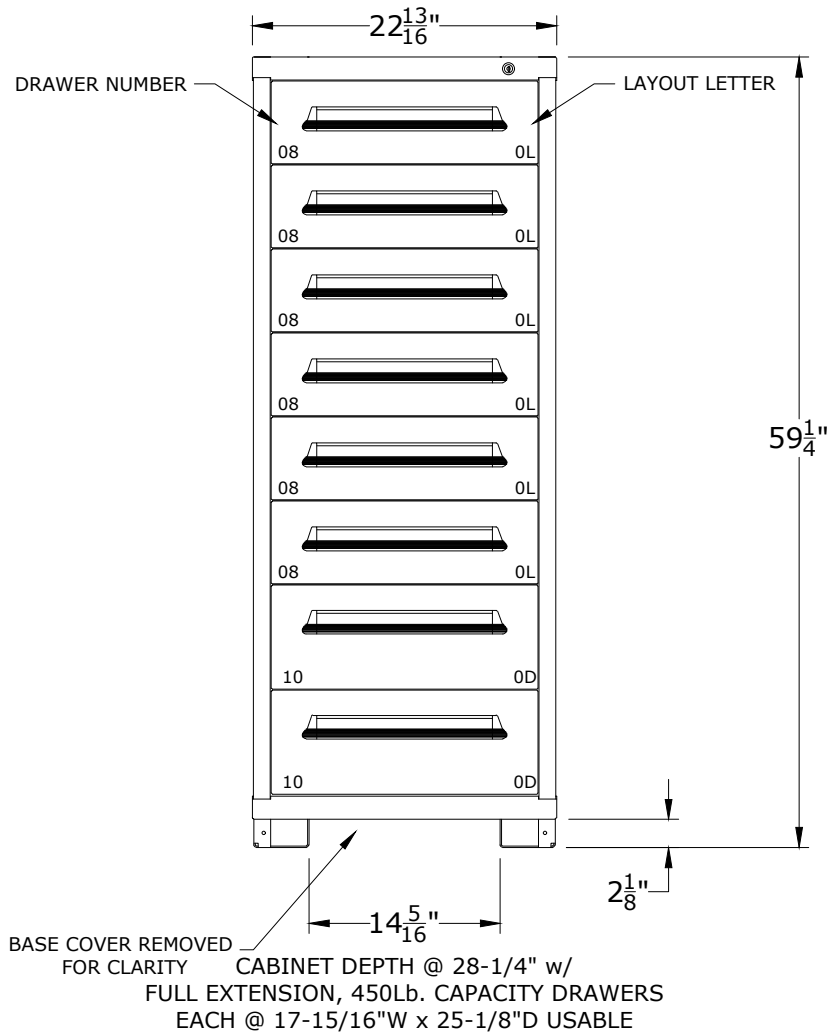


**PART NUMBER OPTIONS:**

COMPARTMENT SIZE	3	4	5	6	7	8	9	10	11	12	13	14	15	16
DIMENSION (CLEAR)	1 $\frac{7}{8}$ "	2 $\frac{11}{16}$ "	3 $\frac{1}{2}$ "	4 $\frac{1}{4}$ "	5 $\frac{1}{16}$ "	5 $\frac{7}{8}$ "	6 $\frac{11}{16}$ "	7 $\frac{1}{2}$ "	8 $\frac{1}{4}$ "	9 $\frac{1}{16}$ "	9 $\frac{7}{8}$ "	10 $\frac{11}{16}$ "	11 $\frac{1}{2}$ "	12 $\frac{1}{4}$ "

- S68223010400L** = SINGLE DRAWER ACCESS / NO LAYOUTS
- S6822301040IL** = SINGLE DRAWER ACCESS / LAYOUTS FACTORY INSTALLED
- M68223010400L** = MULTIPLE DRAWER ACCESS / NO LAYOUTS
- M6822301040IL** = MULTIPLE DRAWER ACCESS / LAYOUTS FACTORY INSTALLED
- N68223010400N** = NO LOCKING SYSTEM / NO LAYOUTS
- N6822301040IN** = NO LOCKING SYSTEM / LAYOUTS FACTORY INSTALLED



\*OTHER LOCK OPTIONS AVAILABLE, CONTACT FOR DETAILS

DRAWER NUMBER	04	05	06	07	08	09	10	11	12	13	14	15	16	17	18
USABLE HEIGHT	2 $\frac{1}{4}$ "	3"	3 $\frac{7}{8}$ "	4 $\frac{5}{8}$ "	5 $\frac{3}{8}$ "	6 $\frac{1}{4}$ "	7"	7 $\frac{3}{4}$ "	8 $\frac{1}{2}$ "	9 $\frac{3}{8}$ "	10 $\frac{1}{8}$ "	10 $\frac{7}{8}$ "	11 $\frac{3}{4}$ "	12 $\frac{1}{2}$ "	13 $\frac{1}{4}$ "

**LYON** P.O. Box 671  
AURORA, IL 60507-0671  
PHONE: 800-323-0082  
www.lyonworkspace.com

NOTICE: THIS DOCUMENT IS CONFIDENTIAL AND PROPRIETARY. NO PART OF THIS DOCUMENT MAY BE DISCLOSED TO A THIRD PARTY WITHOUT THE PRIOR WRITTEN CONSENT OF LYON LLC

DATE 06/29/17	DRAWN BY JR	CHECKED BY DWW
------------------	----------------	-------------------

DESCRIPTION  
**PRE-ENGINEERED CABINET  
EYE LEVEL - SLENDER  
(8) DRAWERS  
(88) COMPARTMENTS**

SHEET 1	DRAWING NUMBER 6822301040	REV 1
------------	------------------------------	----------