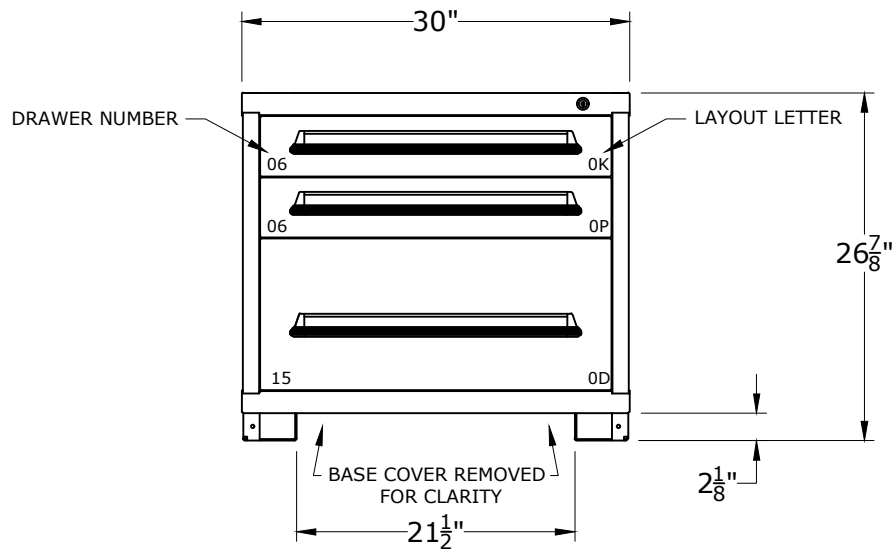


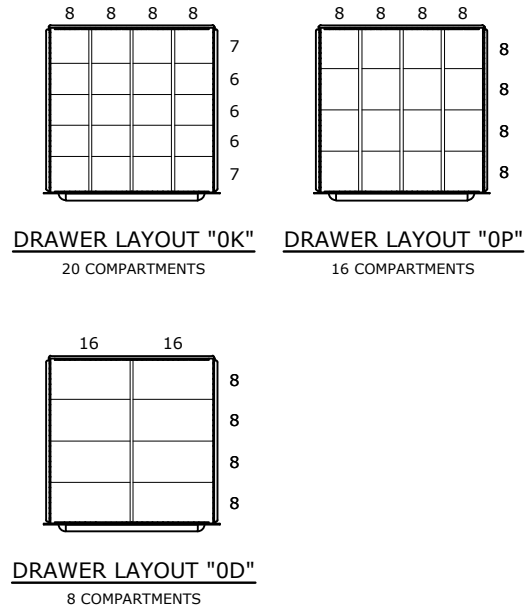
COMPARTMENT SIZE	3	4	5	6	7	8	9	10	11	12	13	14	15	16
DIMENSION (CLEAR)	1 7/8"	2 11/16"	3 1/2"	4 1/4"	5 1/16"	5 7/8"	6 11/16"	7 1/2"	8 1/4"	9 1/16"	9 7/8"	10 11/16"	11 1/2"	12 1/4"

PART NUMBER OPTIONS;

- S27303010080L** = SINGLE DRAWER ACCESS / NO LAYOUTS
- S27303010081L** = SINGLE DRAWER ACCESS / LAYOUTS FACTORY INSTALLED
- M27303010080L** = MULTIPLE DRAWER ACCESS / NO LAYOUTS
- M27303010081L** = MULTIPLE DRAWER ACCESS / LAYOUTS FACTORY INSTALLED
- N27303010080N** = NO LOCKING SYSTEM / NO LAYOUTS
- N27303010081N** = NO LOCKING SYSTEM / LAYOUTS FACTORY INSTALLED



CABINET DEPTH @ 28-1/4" w/
 FULL EXTENSION, 450Lb. CAPACITY DRAWERS
 EACH @ 25-1/8"W x 25-1/8"D USABLE



*OTHER LOCK OPTIONS AVAILABLE, CONTACT FOR DETAILS

DRAWER NUMBER	04	05	06	07	08	09	10	11	12	13	14	15	16	17	18
USABLE HEIGHT	2 1/4"	3"	3 7/8"	4 5/8"	5 3/8"	6 1/4"	7"	7 3/4"	8 1/2"	9 3/8"	10 1/8"	10 7/8"	11 3/4"	12 1/2"	13 1/4"

LYON			P.O. Box 671 AURORA, IL 60507-0671 PHONE: 800-323-0082 www.lyonworkspace.com
<small>NOTICE: THIS DOCUMENT IS CONFIDENTIAL AND PROPRIETARY. NO PART OF THIS DOCUMENT MAY BE DISCLOSED TO A THIRD PARTY WITHOUT THE PRIOR WRITTEN CONSENT OF LYON LLC</small>			
DATE 06/19/17	DRAWN BY JR	CHECKED BY DWV	
DESCRIPTION PRE-ENGINEERED CABINET DESK - STANDARD (3) DRAWERS (44) COMPARTMENTS			
SHEET	DRAWING NUMBER 2730301008	REV 1	