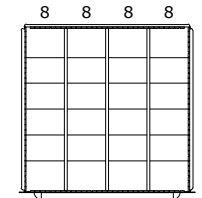


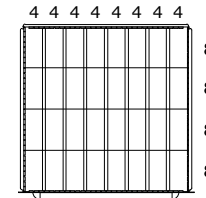
COMPARTMENT SIZE	3	4	5	6	7	8	9	10	11	12	13	14	15	16
DIMENSION (CLEAR)	1 $\frac{7}{8}$ "	2 $\frac{11}{16}$ "	3 $\frac{1}{2}$ "	4 $\frac{1}{4}$ "	5 $\frac{1}{16}$ "	5 $\frac{7}{8}$ "	6 $\frac{11}{16}$ "	7 $\frac{1}{2}$ "	8 $\frac{1}{4}$ "	9 $\frac{1}{16}$ "	9 $\frac{7}{8}$ "	10 $\frac{11}{16}$ "	11 $\frac{1}{2}$ "	12 $\frac{1}{4}$ "

PART NUMBER OPTIONS;

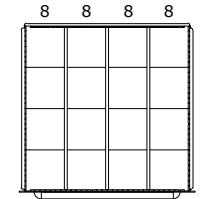
- S353030000BOL** = SINGLE DRAWER ACCESS / NO LAYOUTS
- S353030000BIL** = SINGLE DRAWER ACCESS / LAYOUTS FACTORY INSTALLED
- M353030000BOL** = MULTIPLE DRAWER ACCESS / NO LAYOUTS
- M353030000BIL** = MULTIPLE DRAWER ACCESS / LAYOUTS FACTORY INSTALLED
- N353030000BON** = NO LOCKING SYSTEM / NO LAYOUTS
- N353030000BIN** = NO LOCKING SYSTEM / LAYOUTS FACTORY INSTALLED



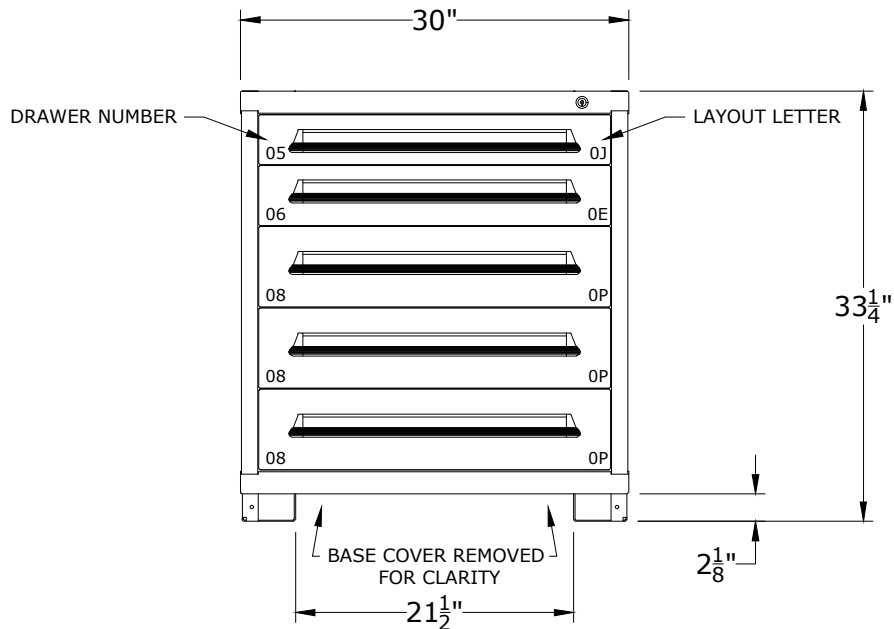
**DRAWER LAYOUT "0E"**  
24 COMPARTMENTS



**DRAWER LAYOUT "0J"**  
32 COMPARTMENTS



**DRAWER LAYOUT "0P"**  
16 COMPARTMENTS



CABINET DEPTH @ 28-1/4" w/  
FULL EXTENSION, 450lb. CAPACITY DRAWERS  
EACH @ 25-1/8"W x 25-1/8"D USABLE

\*OTHER LOCK OPTIONS AVAILABLE, CONTACT FOR DETAILS

DRAWER NUMBER	04	05	06	07	08	09	10	11	12	13	14	15	16	17	18
USABLE HEIGHT	2 $\frac{1}{4}$ "	3"	3 $\frac{7}{8}$ "	4 $\frac{5}{8}$ "	5 $\frac{3}{8}$ "	6 $\frac{1}{4}$ "	7"	7 $\frac{3}{4}$ "	8 $\frac{1}{2}$ "	9 $\frac{3}{8}$ "	10 $\frac{1}{8}$ "	10 $\frac{7}{8}$ "	11 $\frac{3}{4}$ "	12 $\frac{1}{2}$ "	13 $\frac{1}{4}$ "

**LYON** P.O. Box 671  
AURORA, IL 60507-0671  
PHONE: 800-323-0082  
www.lyonworkspace.com

NOTICE: THIS DOCUMENT IS CONFIDENTIAL AND PROPRIETARY. NO PART OF THIS DOCUMENT MAY BE DISCLOSED TO A THIRD PARTY WITHOUT THE PRIOR WRITTEN CONSENT OF LYON LLC

DATE	DRAWN BY	CHECKED BY
07/05/17	JR	DWV

DESCRIPTION  
**PRE-ENGINEERED CABINET  
BENCH - STANDARD  
(5) DRAWERS  
(104) COMPARTMENTS**

SHEET	DRAWING NUMBER	REV
	353030000B	1