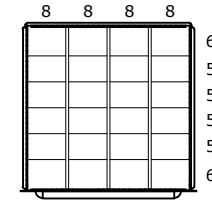


COMPARTMENT SIZE	3	4	5	6	7	8	9	10	11	12	13	14	15	16
DIMENSION (CLEAR)	1 7/8"	2 11/16"	3 1/2"	4 1/4"	5 1/16"	5 7/8"	6 11/16"	7 1/2"	8 1/4"	9 1/16"	9 7/8"	10 11/16"	11 1/2"	12 1/4"

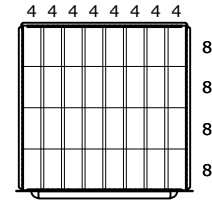
PART NUMBER OPTIONS;

- S35303010260L** = SINGLE DRAWER ACCESS / NO LAYOUTS
- S35303010261L** = SINGLE DRAWER ACCESS / LAYOUTS FACTORY INSTALLED
- M35303010260L** = MULTIPLE DRAWER ACCESS / NO LAYOUTS
- M35303010261L** = MULTIPLE DRAWER ACCESS / LAYOUTS FACTORY INSTALLED
- N35303010260N** = NO LOCKING SYSTEM / NO LAYOUTS
- N35303010261N** = NO LOCKING SYSTEM / LAYOUTS FACTORY INSTALLED



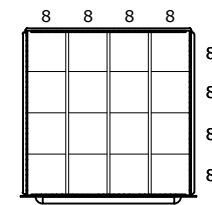
DRAWER LAYOUT "0E"

24 COMPARTMENTS



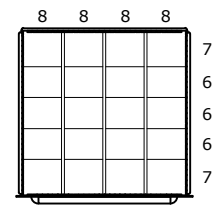
DRAWER LAYOUT "0J"

32 COMPARTMENTS



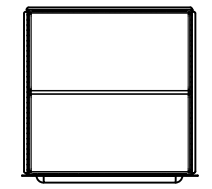
DRAWER LAYOUT "0P"

16 COMPARTMENTS



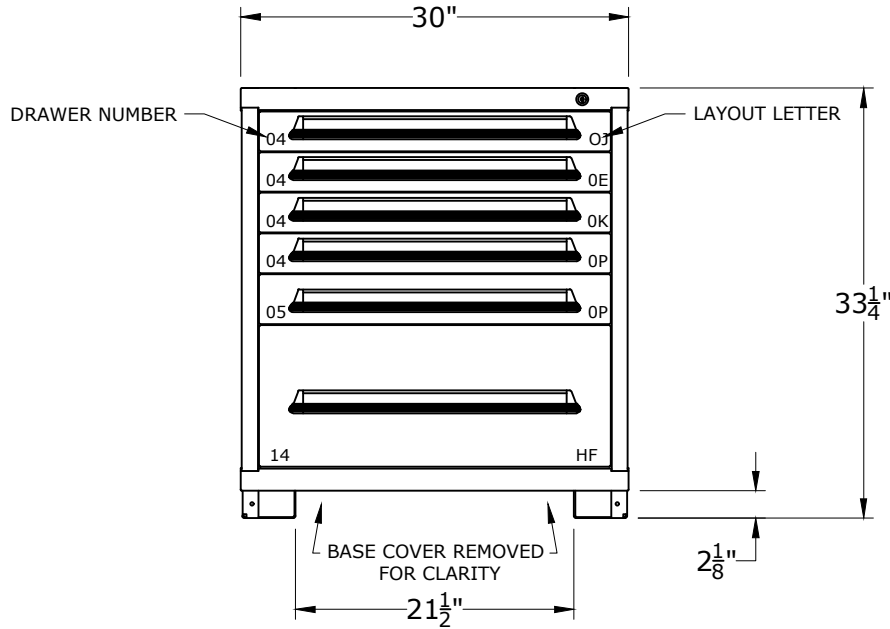
DRAWER LAYOUT "0K"

20 COMPARTMENTS



DRAWER LAYOUT "HF"

(2) HANGING FILE FRAMES



CABINET DEPTH @ 28-1/4" w/
FULL EXTENSION, 450Lb. CAPACITY DRAWERS
EACH @ 25-1/8"W x 25-1/8"D USABLE

*OTHER LOCK OPTIONS AVAILABLE, CONTACT FOR DETAILS

DRAWER NUMBER	04	05	06	07	08	09	10	11	12	13	14	15	16	17	18
USABLE HEIGHT	2 1/4"	3"	3 7/8"	4 5/8"	5 3/8"	6 1/4"	7"	7 3/4"	8 1/2"	9 3/8"	10 1/8"	10 7/8"	11 3/4"	12 1/2"	13 1/4"

LYON P.O. Box 671
AURORA, IL 60507-0671
PHONE: 800-323-0082
www.lyonworkspace.com

NOTICE: THIS DOCUMENT IS CONFIDENTIAL AND PROPRIETARY. NO PART OF THIS DOCUMENT MAY BE DISCLOSED TO A THIRD PARTY WITHOUT THE PRIOR WRITTEN CONSENT OF LYON LLC

DATE 06-26-17	DRAWN BY JR	CHECKED BY DWV
------------------	----------------	-------------------

DESCRIPTION
PRE-ENGINEERED CABINET BENCH - STANDARD (6) DRAWERS (110) COMPARTMENTS

SHEET	DRAWING NUMBER 3530301026	REV 1
-------	-------------------------------------	-----------------