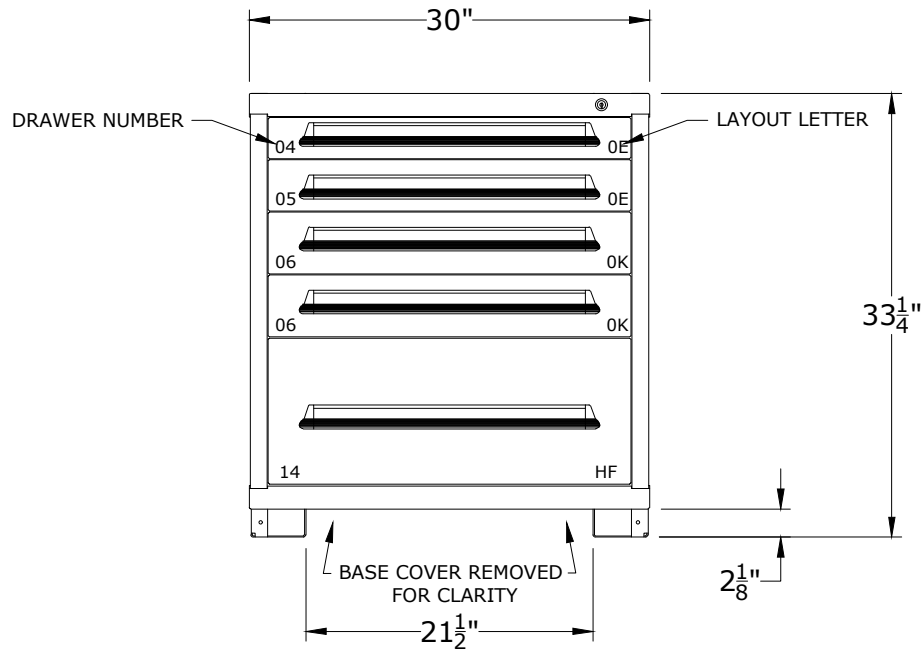


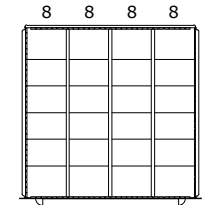
COMPARTMENT SIZE	3	4	5	6	7	8	9	10	11	12	13	14	15	16
DIMENSION (CLEAR)	1 $\frac{7}{8}$ "	2 $\frac{11}{16}$ "	3 $\frac{1}{2}$ "	4 $\frac{1}{4}$ "	5 $\frac{1}{16}$ "	5 $\frac{7}{8}$ "	6 $\frac{11}{16}$ "	7 $\frac{1}{2}$ "	8 $\frac{1}{4}$ "	9 $\frac{1}{16}$ "	9 $\frac{7}{8}$ "	10 $\frac{11}{16}$ "	11 $\frac{1}{2}$ "	12 $\frac{1}{4}$ "

**PART NUMBER OPTIONS:**

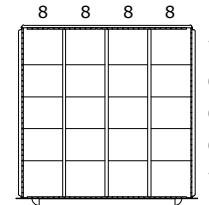
- S35303010290L** = SINGLE DRAWER ACCESS / NO LAYOUTS
- S35303010291L** = SINGLE DRAWER ACCESS / LAYOUTS FACTORY INSTALLED
- M35303010290L** = MULTIPLE DRAWER ACCESS / NO LAYOUTS
- M35303010291L** = MULTIPLE DRAWER ACCESS / LAYOUTS FACTORY INSTALLED
- N35303010290N** = NO LOCKING SYSTEM / NO LAYOUTS
- N35303010291N** = NO LOCKING SYSTEM / LAYOUTS FACTORY INSTALLED



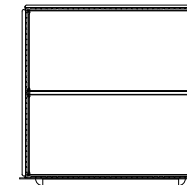
CABINET DEPTH @ 28-1/4" w/  
 FULL EXTENSION, 450lb. CAPACITY DRAWERS  
 EACH @ 25-1/8"W x 25-1/8"D USABLE



**DRAWER LAYOUT "0E"**  
 24 COMPARTMENTS



**DRAWER LAYOUT "0K"**  
 20 COMPARTMENTS



**DRAWER LAYOUT "HF"**  
 (2) HANGING FILE FRAMES

\*OTHER LOCK OPTIONS AVAILABLE, CONTACT FOR DETAILS

DRAWER NUMBER	04	05	06	07	08	09	10	11	12	13	14	15	16	17	18
USABLE HEIGHT	2 $\frac{1}{4}$ "	3"	3 $\frac{7}{8}$ "	4 $\frac{5}{8}$ "	5 $\frac{3}{8}$ "	6 $\frac{1}{4}$ "	7"	7 $\frac{3}{4}$ "	8 $\frac{1}{2}$ "	9 $\frac{3}{8}$ "	10 $\frac{1}{8}$ "	10 $\frac{7}{8}$ "	11 $\frac{3}{4}$ "	12 $\frac{1}{2}$ "	13 $\frac{1}{4}$ "

<b>LYON</b>			P.O. Box 671 AURORA, IL 60507-0671 PHONE: 800-323-0082 www.lyonworkspace.com		
NOTICE: THIS DOCUMENT IS CONFIDENTIAL AND PROPRIETARY. NO PART OF THIS DOCUMENT MAY BE DISCLOSED TO A THIRD PARTY WITHOUT THE PRIOR WRITTEN CONSENT OF LYON LLC					
DATE	DRAWN BY	CHECKED BY			
06-26-17	JR	DWV			
DESCRIPTION					
<b>PRE-ENGINEERED CABINET BENCH - STANDARD</b>					
(5) DRAWERS					
(90) COMPARTMENTS					
SHEET	DRAWING NUMBER				REV
	3530301029				1