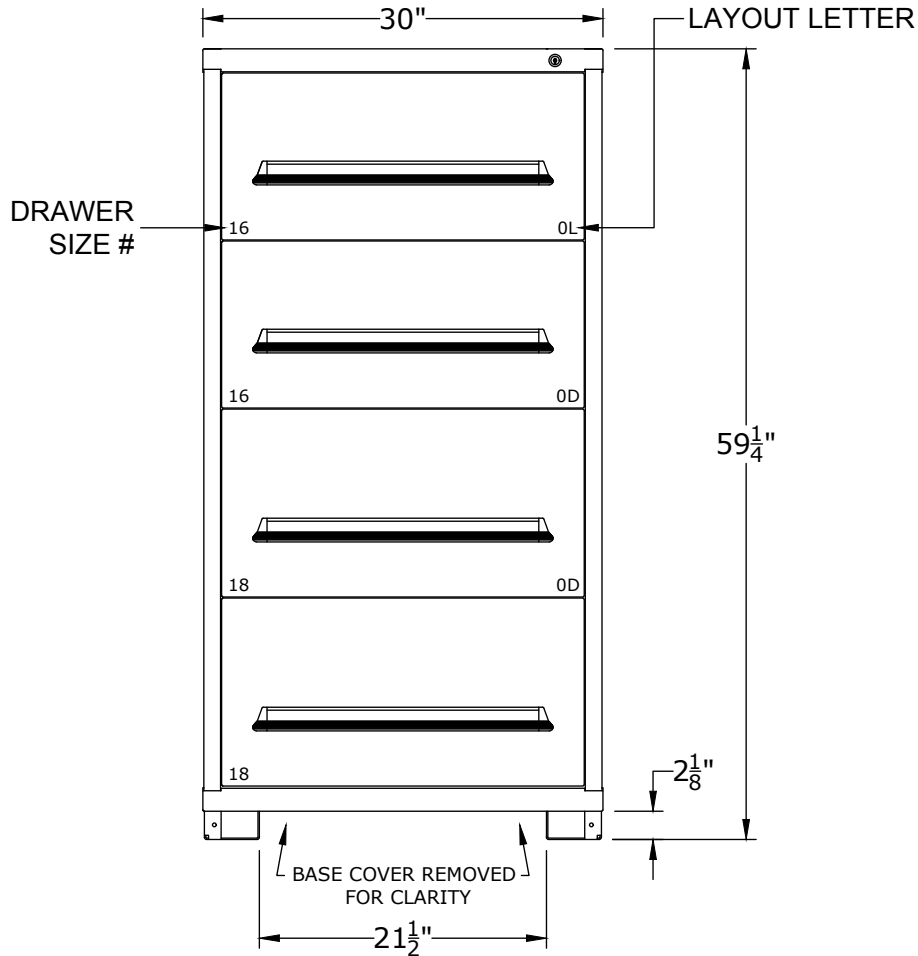


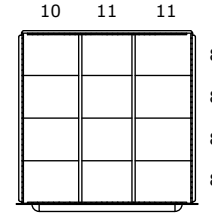
PART NUMBER OPTIONS;

COMPARTMENT SIZE	3	4	5	6	7	8	9	10	11	12	13	14	15	16
DIMENSION (CLEAR)	1 $\frac{7}{8}$ "	2 $\frac{11}{16}$ "	3 $\frac{1}{2}$ "	4 $\frac{1}{4}$ "	5 $\frac{1}{16}$ "	5 $\frac{7}{8}$ "	6 $\frac{11}{16}$ "	7 $\frac{1}{2}$ "	8 $\frac{1}{4}$ "	9 $\frac{1}{16}$ "	9 $\frac{7}{8}$ "	10 $\frac{11}{16}$ "	11 $\frac{1}{2}$ "	12 $\frac{1}{4}$ "

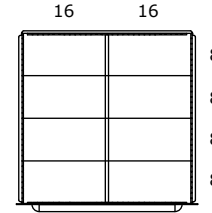
- S68303010180L** = SINGLE DRAWER ACCESS / NO LAYOUTS
- S68303010181L** = SINGLE DRAWER ACCESS / LAYOUTS FACTORY INSTALLED
- M68303010180L** = MULTIPLE DRAWER ACCESS / NO LAYOUTS
- M68303010181L** = MULTIPLE DRAWER ACCESS / LAYOUTS FACTORY INSTALLED
- N68303010180N** = NO LOCKING SYSTEM / NO LAYOUTS
- N68303010181N** = NO LOCKING SYSTEM / LAYOUTS FACTORY INSTALLED



CABINET DEPTH @ 28-1/4" W/
 FULL EXTENSION, 400lb. CAPACITY DRAWERS
 EACH @ 25-1/8"W x 25-1/8"D USABLE



DRAWER LAYOUT "0L"
 12 COMPARTMENTS



DRAWER LAYOUT "0D"
 8 COMPARTMENTS

DRAWER NUMBER	04	05	06	07	08	09	10	11	12	13	14	15	16	17	18
USABLE HEIGHT	2 $\frac{1}{4}$ "	3"	3 $\frac{7}{8}$ "	4 $\frac{5}{8}$ "	5 $\frac{3}{8}$ "	6 $\frac{1}{4}$ "	7"	7 $\frac{3}{4}$ "	8 $\frac{1}{2}$ "	9 $\frac{3}{8}$ "	10 $\frac{1}{8}$ "	10 $\frac{7}{8}$ "	11 $\frac{3}{4}$ "	12 $\frac{1}{2}$ "	13 $\frac{1}{4}$ "

*OTHER LOCK OPTIONS AVAILABLE. CONTACT FOR DETAILS

LYON P.O. Box 671
 AURORA, IL 60507-0671
 PHONE: 800-323-0082
 www.lyonworkspace.com

NOTICE: THIS DOCUMENT IS CONFIDENTIAL AND PROPRIETARY. NO PART OF THIS DOCUMENT MAY BE DISCLOSED TO A THIRD PARTY WITHOUT THE PRIOR WRITTEN CONSENT OF LYON LLC

DATE 07-18-18	DRAWN BY CF	CHECKED BY LH
------------------	----------------	------------------

DESCRIPTION

**PRE-ENGINEERED CABINET
 EYE-LEVEL - STANDARD
 (4) DRAWERS
 (29) COMPARTMENTS**

SHEET 1	DRAWING NUMBER 6830301018	REV 1
------------	------------------------------	----------