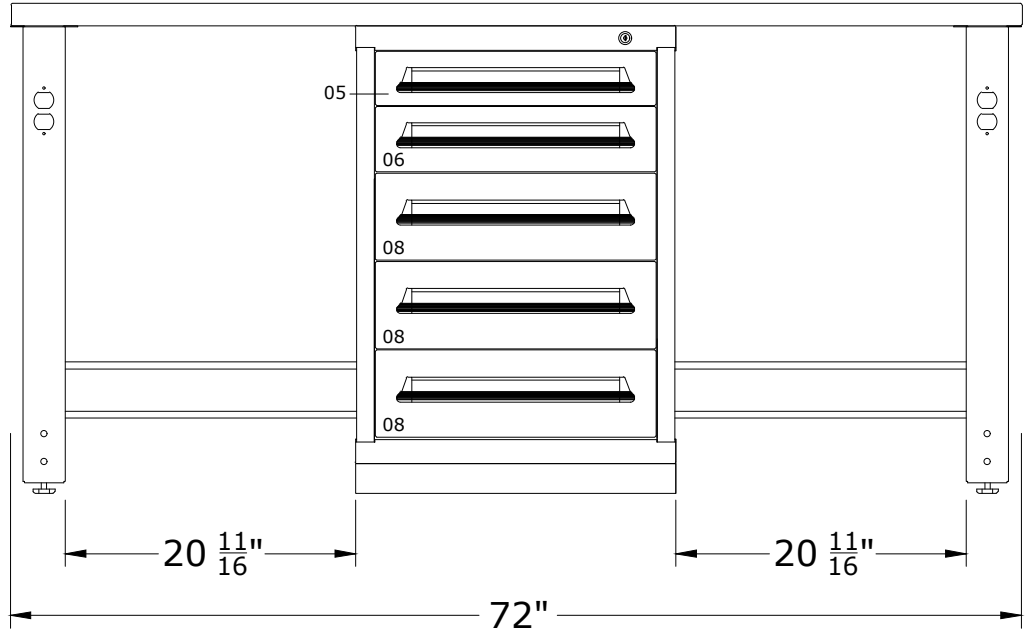
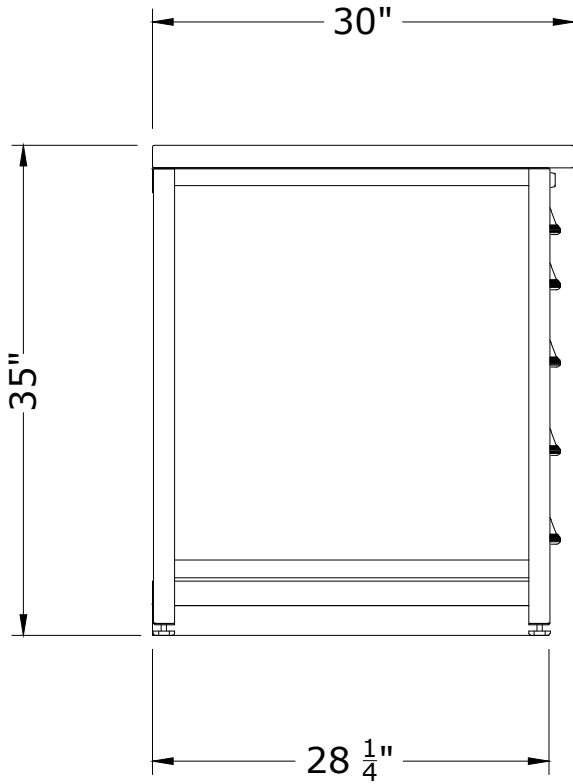


QTY	PART#	DESCRIPTION
1	M35223000B0L	BENCH SLENDER PRE-ENGINEERED CABINET
2	251OPL350	BENCH OPEN PANEL LEG
2	251STR21	STRINGER
1	251WHD72	HARDWOOD WORK SURFACE, 72W



*OTHER LOCK OPTIONS AVAILABLE, CONTACT FOR DETAILS

DRAWER NUMBER	04	05	06	07	08	09	10	11	12	13	14	15	16	17	18
USABLE HEIGHT	2 1/4"	3"	3 7/8"	4 5/8"	5 3/8"	6 1/4"	7"	7 3/4"	8 1/2"	9 3/8"	10 1/8"	10 7/8"	11 3/4"	12 1/2"	13 1/4"

LYON P.O. Box 671
 AURORA, IL 60507-0671
 PHONE: 800-323-0082
 www.lyonworkspace.com

NOTICE: THIS DOCUMENT IS CONFIDENTIAL AND PROPRIETARY. NO PART OF THIS DOCUMENT MAY BE DISCLOSED TO A THIRD PARTY WITHOUT THE PRIOR WRITTEN CONSENT OF LYON LLC

DATE 07/17/17	DRAWN BY JR	CHECKED BY DWV
------------------	----------------	-------------------

DESCRIPTION

**WORKCENTER
 ELEVATION
 CONCEPT 5**

SHEET 1	DRAWING NUMBER 251WBC05	REV 1
------------	----------------------------	----------