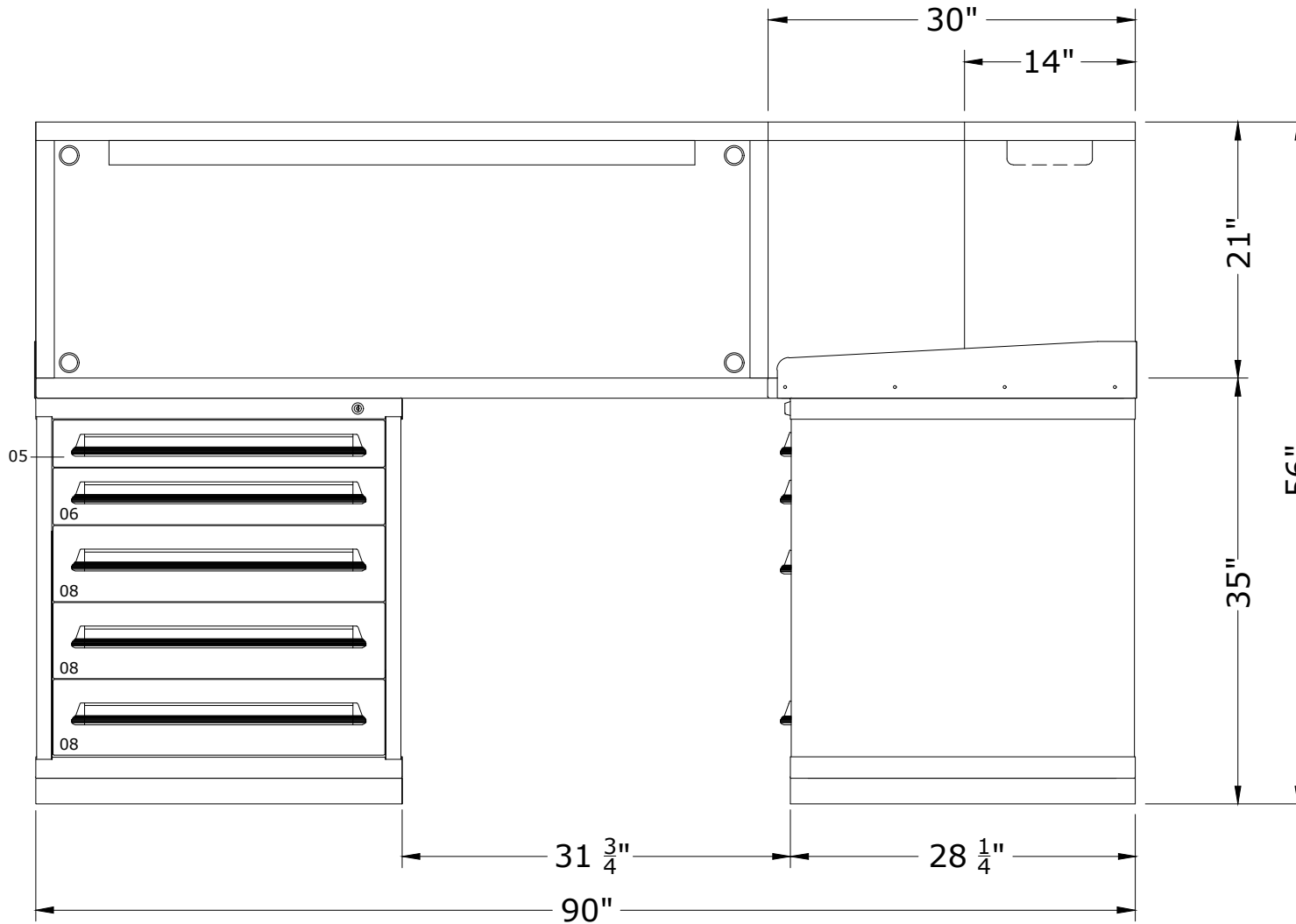


QTY	PART#	DESCRIPTION
1	M353030000A0L	BENCH STANDARD PRE-ENGINEERED CABINET
1	M353030000B0L	BENCH STANDARD PRE-ENGINEERED CABINET
1	251OPL350	BENCH OPEN PANEL LEG
1	251WHD90	HARDWOOD WORK SURFACE, 90W
1	251WHD60	HARDWOOD WORK SURFACE, 60W
1	250SPICE	SPLICE PLATE KIT
2	251BRS6021	BOOKCASE RISER
2	251RBP6021	BOOKCASE RISER BACK PANEL
1	251BCR3021	BOOKCASE CORNER RISER
2	79020	LIGHT FIXTURE



*OTHER LOCK OPTIONS AVAILABLE, CONTACT FOR DETAILS

DRAWER NUMBER	04	05	06	07	08	09	10	11	12	13	14	15	16	17	18
USABLE HEIGHT	2 1/4"	3"	3 7/8"	4 5/8"	5 3/8"	6 1/4"	7"	7 3/4"	8 1/2"	9 3/8"	10 1/8"	10 7/8"	11 3/4"	12 1/2"	13 1/4"

LYON P.O. Box 671
AURORA, IL 60507-0671
PHONE: 800-323-0082
www.lyonworkspace.com

NOTICE: THIS DOCUMENT IS CONFIDENTIAL AND PROPRIETARY. NO PART OF THIS DOCUMENT MAY BE DISCLOSED TO A THIRD PARTY WITHOUT THE PRIOR WRITTEN CONSENT OF LYON LLC

DATE 08/07/17	DRAWN BY JR	CHECKED BY DWV
------------------	----------------	-------------------

DESCRIPTION

**WORKCENTER
ELEVATION
CONCEPT 18**

SHEET 1	DRAWING NUMBER 251WBC18	REV 1
------------	----------------------------	----------