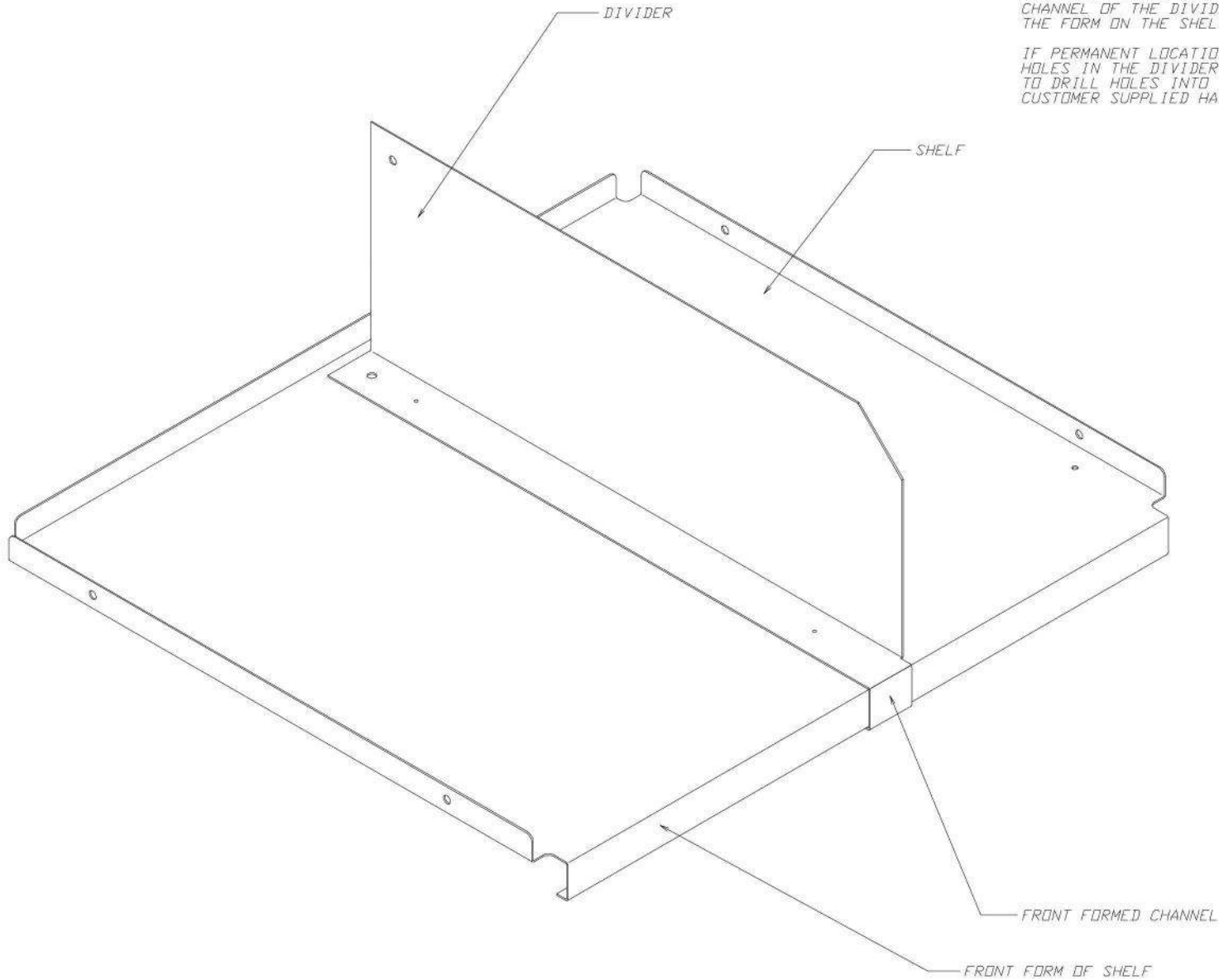


SHELF DIVIDER INSTALL

SHELF DIVIDER HAVE A MAGNETIC STRIP APPLIED TO THE UNDERSIDE OF THE FLANGE THAT RESTS ON TOP OF THE SHELF.

SIMPLY PLACE THE DIVIDER IN THE REQUIRED LOCATION MAKING SURE THAT THE FRONT FORMED CHANNEL OF THE DIVIDER IS POSITIONED "AROUND" THE FORM ON THE SHELF.

IF PERMANENT LOCATION IS REQUIRED, USE THE HOLES IN THE DIVIDER FORM AS A DRILL GUIDE TO DRILL HOLES INTO THE SHELF AND ATTACH WITH CUSTOMER SUPPLIED HARDWARE.



LYON

P.O. Box 671
AURORA, IL 60507-0671
PHONE: 630-892-8941
FAX: 800-367-6681

NOTICE: THIS IS A CONFIDENTIAL DISCLOSURE LOANED BY LYON WORKSPACE FOR REFERENCE PURPOSES ONLY

| DATE | DRAWN BY | CHECKED BY |
|----------|----------|------------|
| 02-04-12 | JR | DWV |

DESCRIPTION:

INSTALLATION
SHELF DIVIDER
MDC

| SHEET | DRAWING NUMBER | REV |
|-------|----------------|-----|
| - | SS1578 | 1 |