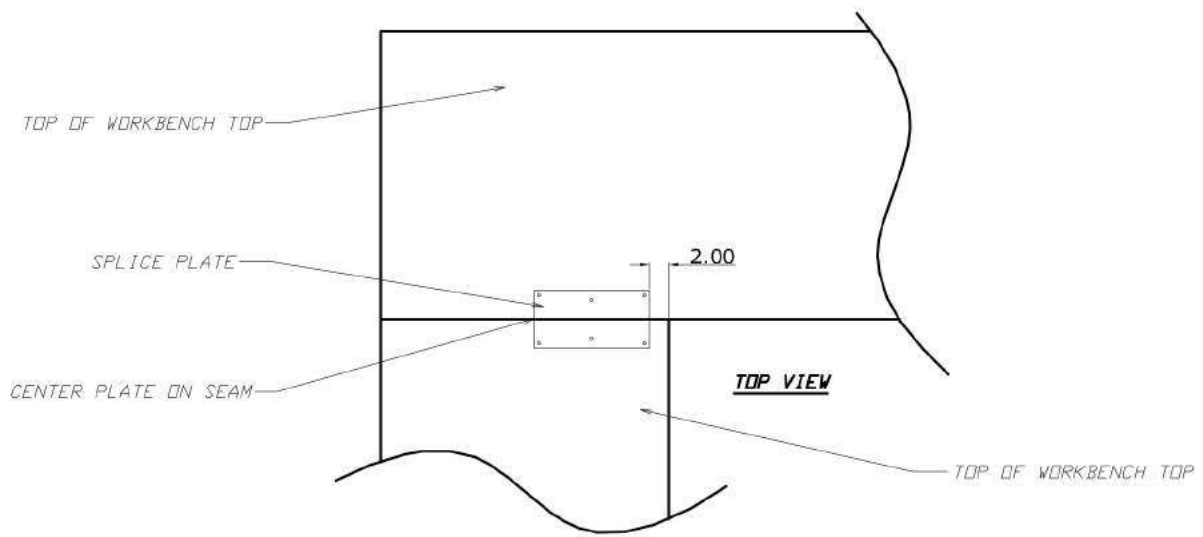


SUPPLIED FASTENERS



INSTALLATION OPERATIONS

1. AFTER INSTALLATION OF WORK BENCH TOPS, PANEL LEGS, FOOTREST AND CABINETS, LOCATE SPLICE PLATE AND MARK UNDERSIDE OF WORKBENCH TOPS.
2. DRILL (4) 13/64" DIAMETER HOLES 1" DEEP.
3. ATTACH SPLICE PLATE AS SHOWN WITH SUPPLIED 1/4" LAG SCREWS AND 1/4" FLAT WASHERS. BE SURE TO LUBRICATE THE THREADS OF THE LAG SCREWS TO ENSURE EASIER TIGHTENING.

LYON P.O. Box 671
 AURORA, IL 60507-0671
 PHONE: 630-892-8941
 FAX: 800-367-6681

NOTICE: THIS IS A CONFIDENTIAL DISCLOSURE LOANED BY LYON WORKSPACE FOR REFERENCE PURPOSES ONLY

DATE 01-31-12	DRAWN BY JR	CHECKED BY DWV
------------------	----------------	-------------------

DESCRIPTION		
INSTALLATION SPLICE PLATE MDC		

SHEET -	DRAWING NUMBER SS1548	REV 1
------------	---------------------------------	----------