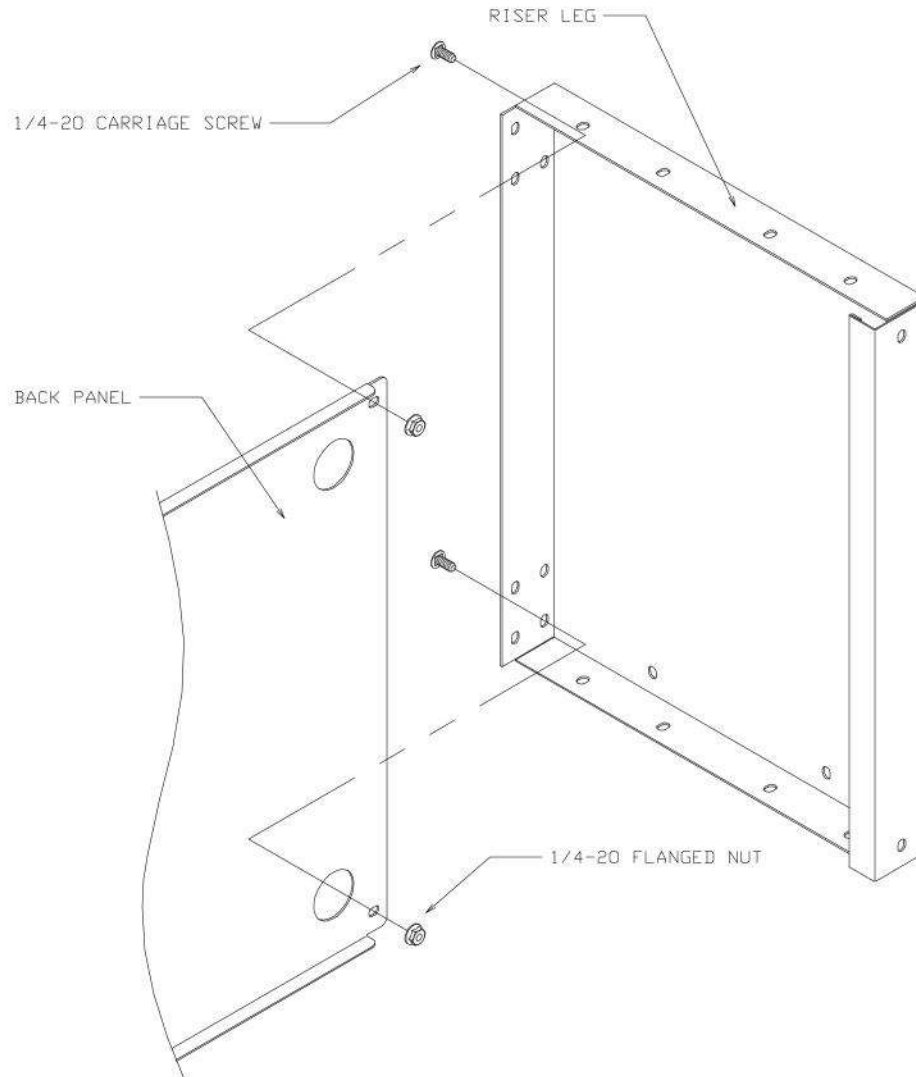


ASSEMBLY INSTRUCTIONS

THE BACK PANEL IS USED IN PLACE OF THE SUPPORT PANEL. IF THE SUPPORT PANEL HAS ALREADY BEEN ATTACHED, REMOVE AND DISCARD.

ASSEMBLE BACK PANEL AS SHOWN USING 1/4-20x9/16 CARRIAGE SCREWS AND 1/4-20 FLANGED NUTS. THE BACK PANEL WILL BE ON THE *INSIDE* OF THE LEGS.



SUPPLIED HARDWARE



1/4-20 FLANGED NUT



1/4-20 CARRIAGE SCREW

LYON P.O. Box 671
AURORA, IL 60507-0671
PHONE: 630-892-8941
FAX: 800-367-6681

NOTICE: THIS IS A CONFIDENTIAL DISCLOSURE LOANED BY
LYON WORKSPACE FOR REFERENCE PURPOSES ONLY

| DATE | DRAWN BY | CHECKED BY |
|----------|----------|------------|
| 01-31-12 | JR | DWV |

DESCRIPTION

INSTALLATION
RISER BACK PANEL
MDC

| SHEET | DRAWING NUMBER | REV |
|-------|----------------|-----|
| - | SS1666 | 1 |