

FIGURE #1

FIGURE #2

* EXAMPLE OF HOW COMPONENTS CAN BE ASSEMBLED IS SHOWN. ACTUAL COMPONENTS MAY VARY BASED ON CUSTOMER REQUIREMENTS AND COMPONENTS ORDERED.

ASSEMBLY INSTRUCTIONS

STEP #1--ASSEMBLY OF RACK END UNITS

FIGURE #1

- 1.) IN ORDER TO BUILD A RACK SECTION, YOU FIRST NEED TO MAKE UP TWO RACK END UNITS.
- 2.) TO MAKE UP AN END UNIT, ASSEMBLE TWO ANGLE POSTS (COMPONENT E) AND TWO DOUBLE-RIVET BEAMS. USE EITHER THE DOUBLE RIVET FLANGED (COMPONENT B), OR THE DOUBLE-RIVET CHANNEL BEAMS, DEPENDING ON YOUR CONFIGURATION AND LOAD REQUIREMENTS.
- 3.) THE BOTTOM BEAMS ARE TO BE NO MORE THAN 3" UP FROM THE FLOOR. USE A RUBBER HAMMER OR Mallet TO SEAT THE RIVETS INTO THE UPRIGHTS.

NOTE:

THE DOUBLE RIVET BEAMS ARE TO BE USED TO MAKE UP THE RACK END UNITS. THIS WILL RESULT IN THE STRONGEST RACK STRUCTURE.

STEP #2--ASSEMBLY OF SINGLE RACK FRAMES

FIGURE #2

- 1.) THE BASIC RACK FRAME CONSISTS OF TWO END UNITS AND FOUR DOUBLE RIVET BEAMS.

- 2.) ATTACH THE TWO BOTTOM DOUBLE RIVET BEAMS TO THE TWO END UNITS. USE A RUBBER HAMMER OR Mallet TO SEAT THE RIVETS INTO THE UPRIGHTS. THEN, ATTACH THE TWO TOP DOUBLE RIVET BEAMS.

- 3.) IF REQUIRED, INSTALL CENTER SUPPORT TIES (COMPONENT D) TO THE FRONT AND REAR BEAMS. THE CENTER SUPPORT IS TO BE INSTALLED BETWEEN THE BEAMS AT EVERY LEVEL, USING (4) 1/4"-20 NUTS AND BOLTS PROVIDED. REFER TO LYON CATALOG FOR QUANTITY OF CENTER SUPPORTS REQUIRED BASED UPON LENGTH OF BEAMS USED.

NOTE:

THE DOUBLE RIVET BEAMS ARE TO BE USED TO MAKE UP THE RACK FRAMES. THIS WILL RESULT IN THE STRONGEST RACK STRUCTURE.

- 4.) BUILD UP THE VARIOUS INTERMEDIATE LEVELS AS DESIRED. USE EITHER THE SINGLE-RIVET, THE DOUBLE RIVET-FLANGED, OR THE DOUBLE-RIVET CHANNEL BEAMS, DEPENDING ON YOUR CONFIGURATION AND LOAD REQUIREMENTS.

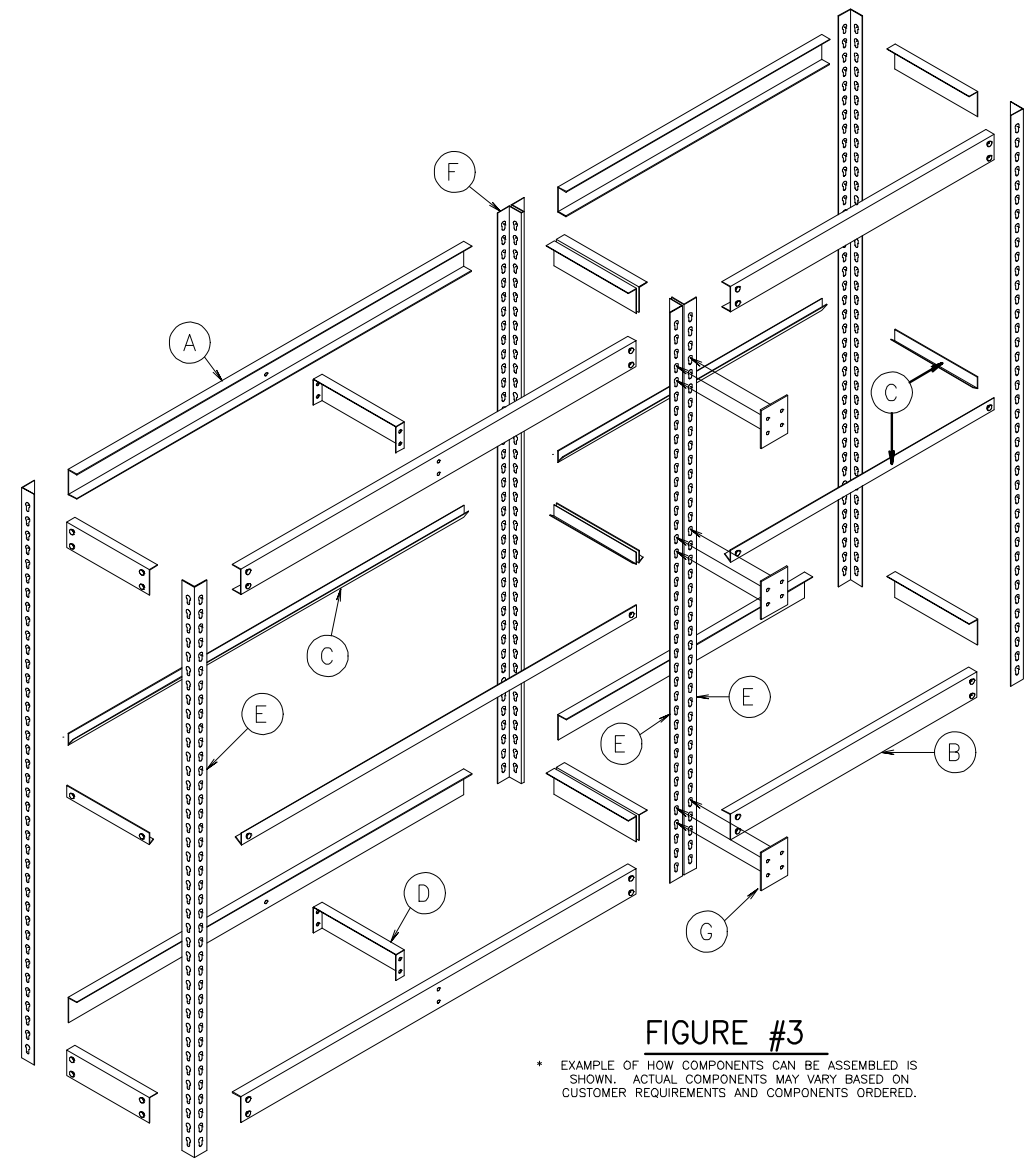


FIGURE #3

* EXAMPLE OF HOW COMPONENTS CAN BE ASSEMBLED IS SHOWN. ACTUAL COMPONENTS MAY VARY BASED ON CUSTOMER REQUIREMENTS AND COMPONENTS ORDERED.

ASSEMBLY OF CONSECUTIVE RACK FRAMES

FIGURE #3

- 1.) FOR ATTACHING TWO OR MORE EXISTING SINGLE RACK ASSEMBLIES TOGETHER, USE THE TIE PLATES (COMPONENT G).
- 2.) AS AN OPTION, YOU MAY USE THE "T" POST STYLE UPRIGHTS FOR THE INTERMEDIATE RACK ENDS (COMPONENT F). BOTH WILL YIELD THE SAME RESULT.
- 3.) FOLLOW THE SAME GUIDELINE IN STEPS 1 AND 2 FOR COMPLETION OF THE SECTIONS.

FOOT PLATE ATTACHEMENT (OPTIONAL)

FIGURE #4

- 1.) IF FOOT PLATES WERE ORDERED, ATTACH FOOT PLATE (COMPONENT H) TO ANGLE POST UPRIGHT USE (1) 1/4"-20 X 1/2" TRUSS HEAD BOLTS, WASHERS AND NUTS. POSITION FOOT PLATE SO THAT MAJORITY OF THE FOOTPLATE IS BENEATH THE UNIT.
- 2.) IF FOOT PLATES WERE ORDERED, ATTACH FOOT PLATE (COMPONENT H) TO "T"-POST UPRIGHT USE (2) 1/4"-20 X 1/2" TRUSS HEAD BOLTS, WASHERS AND NUTS.
- 3.) LOWEST BEAM MUST BE INSTALLED IN THE SECOND AND THIRD SLOTS WHEN FOOT PLATES ARE USED.

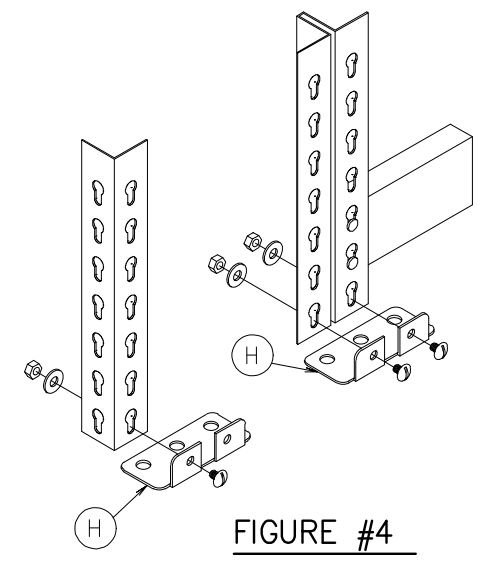
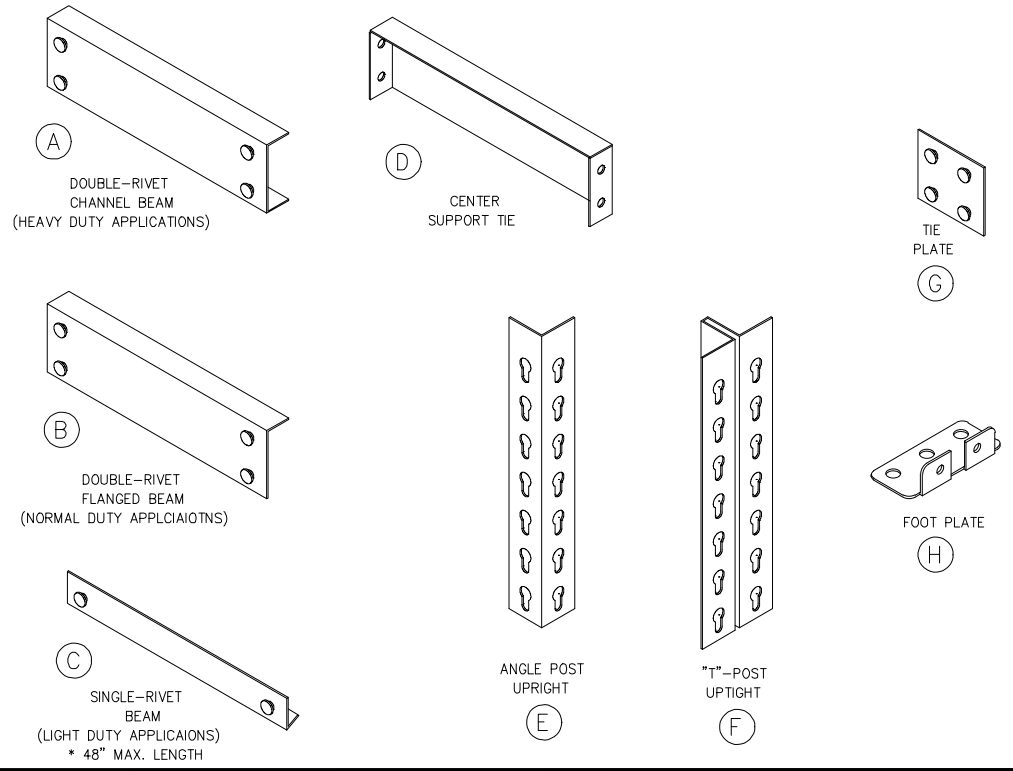


FIGURE #4

* FOOT PLATE IS AN OPTIONAL ACCESSORY AND MUST BE ORDERED SEPARATELY

COMPONENT IDENTIFICATION



ASSEMBLY INSTRUCTIONS FOR RIVET RACK STORAGE

LYON, LLC
P.O. BOX 671
AURORA, IL 60507-0671
P: 800-323-0082

CORR. VIEW
7-21-95
ADDED FIGURE #4
10-31-18
ECON E-190701-01
07-1-19
E-200003-1
03-23-2020

RIVET RACK