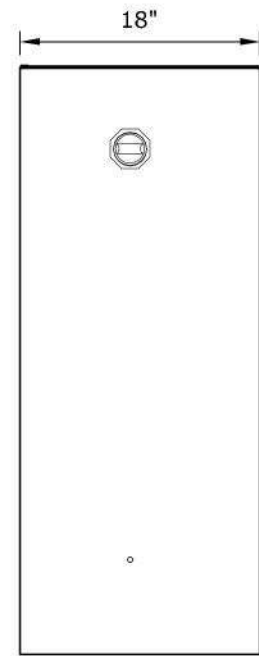
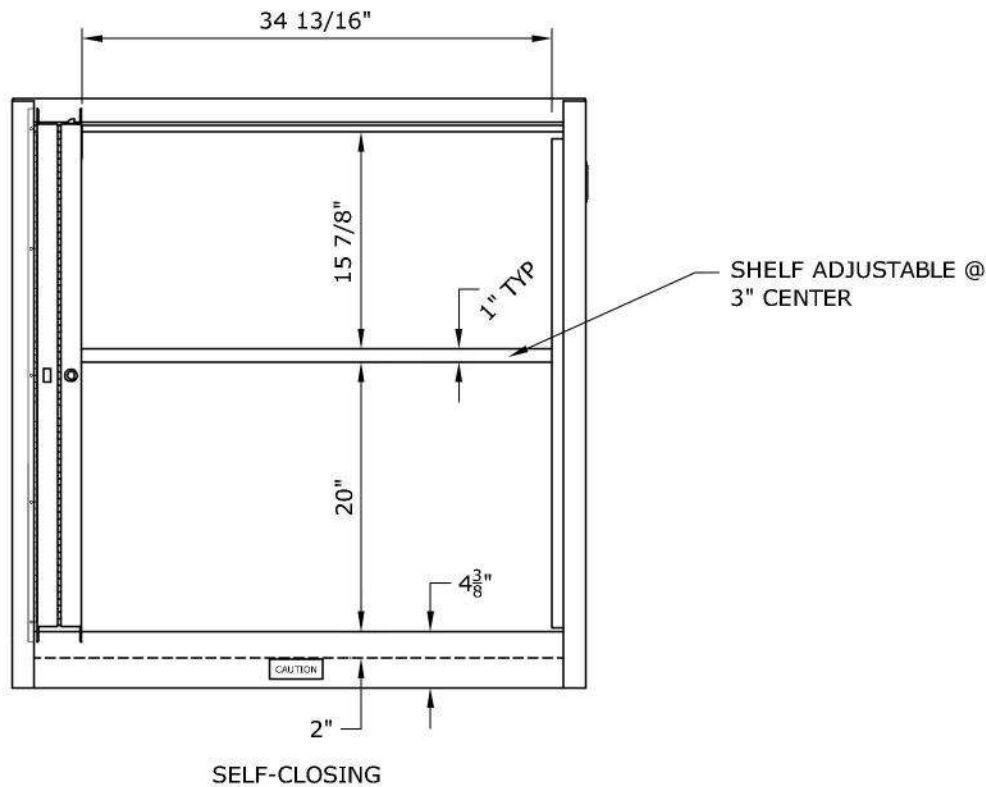


FRONT CLOSED VIEW



RH SIDE VIEW



SELF-CLOSING

LYON P.O. Box 671
 AURORA, IL 60507-0671
 PHONE: 630-892-8941
 FAX: 800-367-6681

NOTICE: THIS IS A CONFIDENTIAL DISCLOSURE LOANED BY LYON WORKSPACE FOR REFERENCE PURPOSES ONLY

DATE 08-23-12	DRAWN BY JR	CHECKED BY DWV
------------------	----------------	-------------------

DESCRIPTION
**SAFETY STORAGE CABINET
 FLAMMABLE LIQUID
 43"W x 18"D x 44"H**

SHEET	DRAWING NUMBER 74R5441N	REV 1
-------	-----------------------------------	----------