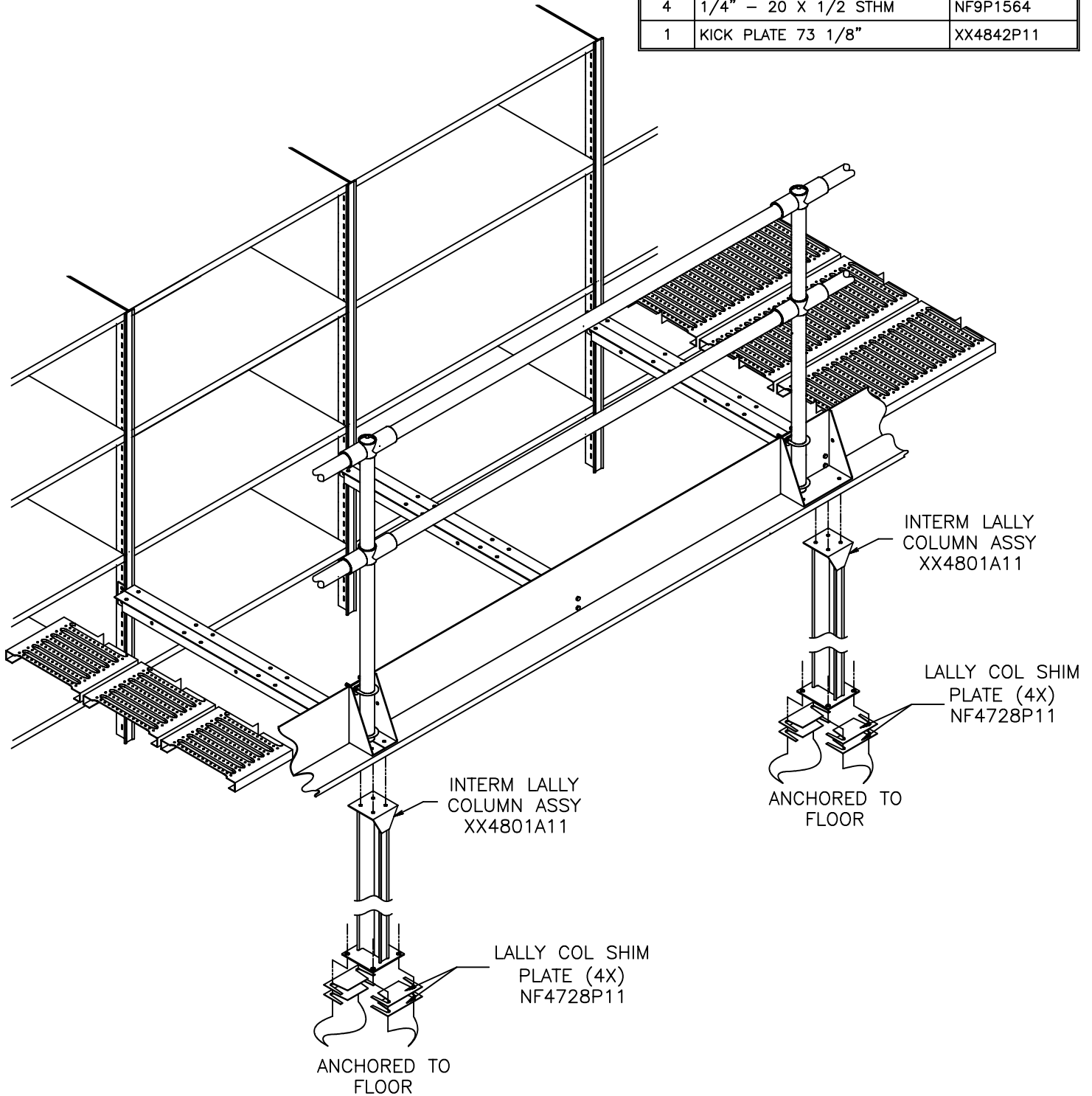


BILL OF MATERIALS

QTY	DESCRIPTION	XX9280
4	1/4" - 20 HEX NUT	NFOP10099
1	U CLIP - GALVANIZED	NF4843P11
1	Z CLIP - GALVANIZED	NF4843P12
2	GALVARAIL PIPE 71 1/8"	NF9P120910
4	1/4" - 20 X 1/2 STHM	NF9P1564
1	KICK PLATE 73 1/8"	XX4842P11



**MISSING PARTS OR IN NEED
OF
ASSEMBLY ASSISTANCE?**

Contact us direct for fast friendly service (800) 433-8488

Int'l calls (630) 892-8941 | WEB: WWW.LYONWORKSPACE.COM | Fax (800) 367-6681

ASSEMBLY INSTRUCTIONS
FOR LYON 8000 SERIES
TWO LEVEL SHELVING

LYON LYON WORKSPACE PRODUCTS
P.O. BOX 671
800 8001 AURORA, IL 60507
USA

9280
72" AISLE EXTENSION
COMPONENT