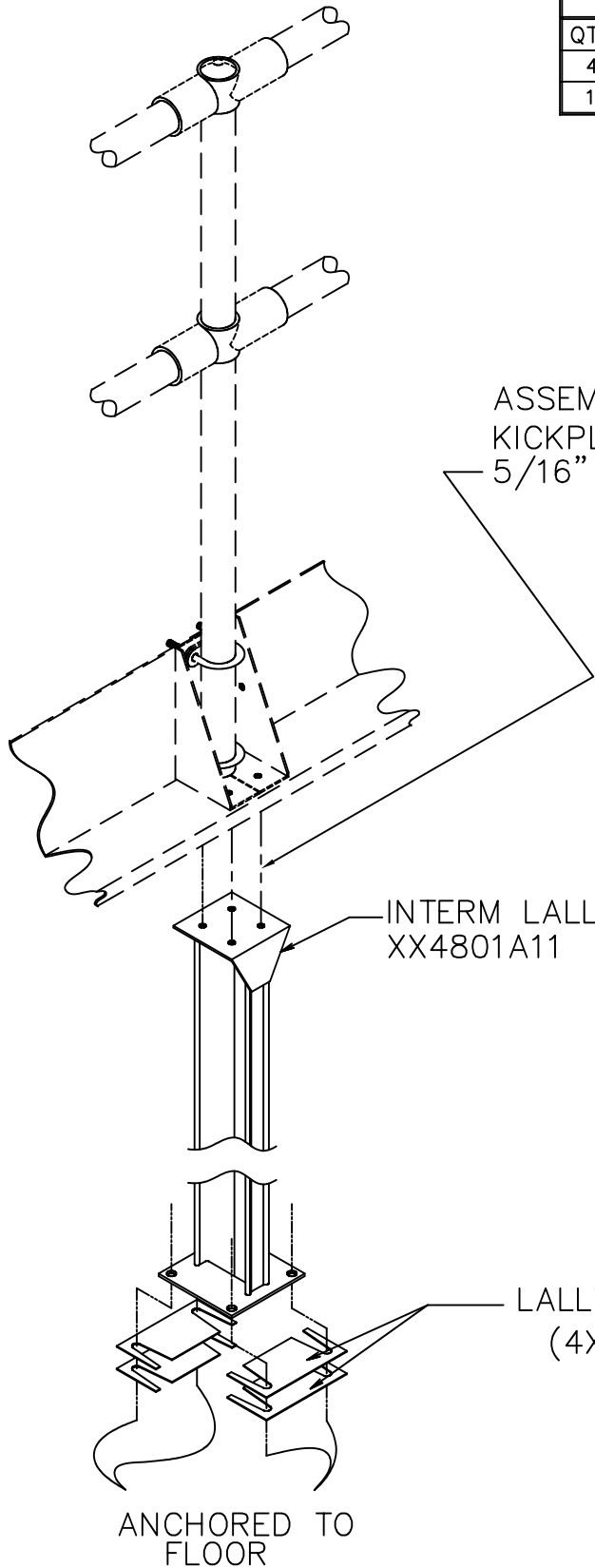


BILL OF MATERIALS		
QTY	DESCRIPTION	XX9227
4	LALLY COL BASE SHIM PLATE	NF4728P11
1	INTERM LALLY COLUMN ASSY	NF4801A11



ASSEMBLE LALLY COLUMN TO KICKPLATE AND SUPPORT WITH 5/16" NUTS AND BOLTS

INTERM LALLY COLUMN ASSY
XX4801A11

LALLY COL SHIM PLATE
(4X) NF4728P11

ANCHORED TO FLOOR

SHEET 1 OF 1

**MISSING PARTS OR IN NEED
OF
ASSEMBLY ASSISTANCE?**

Contact us direct for fast friendly service (800) 433-8488

Int'l calls (630) 892-8941 | WEB: WWW.LYONWORKSPACE.COM | Fax (800) 367-6681

ASSEMBLY INSTRUCTIONS
FOR LYON TWO LEVEL
8000 SERIES SHELVING



9227

INTERMEDIATE LALLY COLUMN