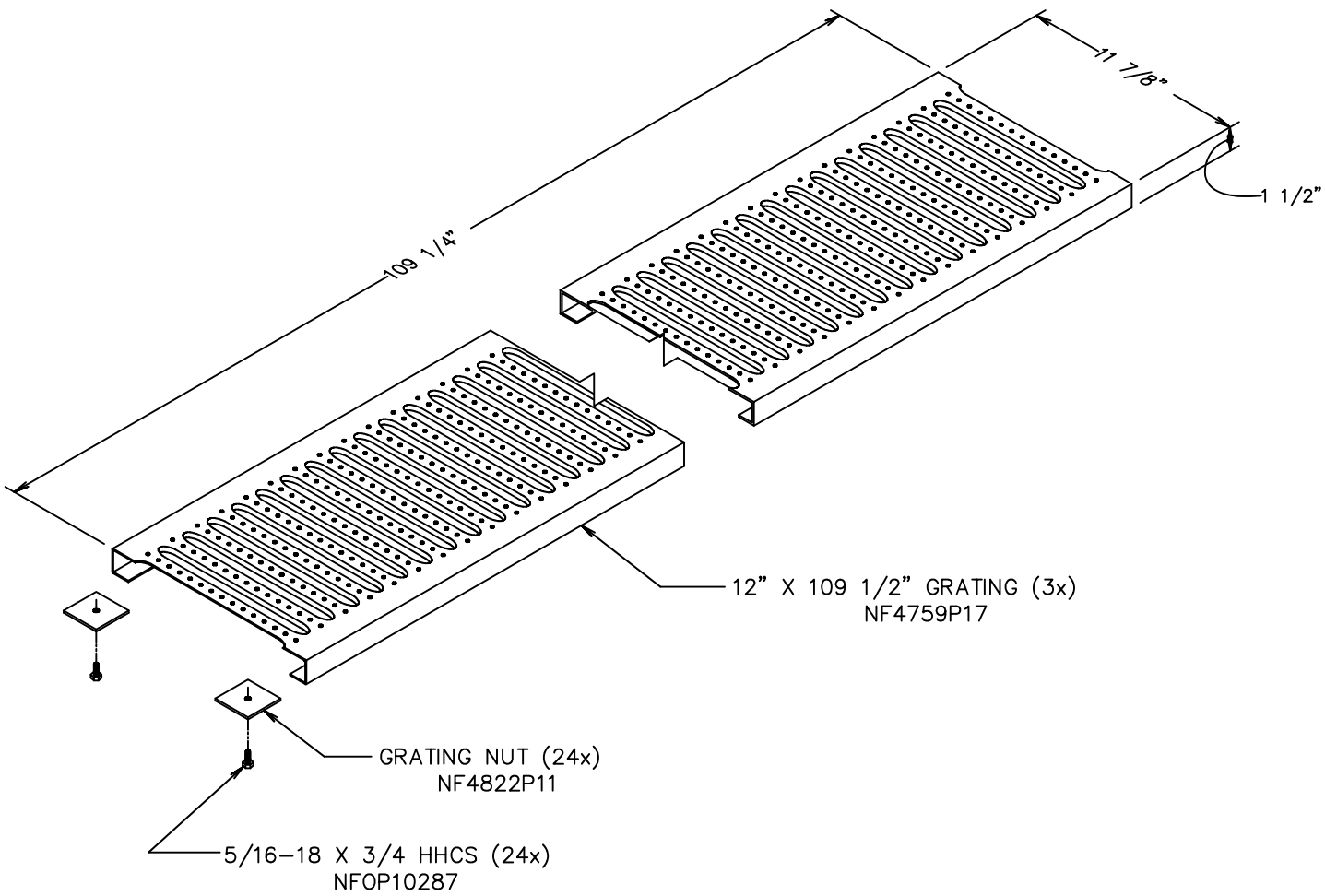


BILL OF MATERIALS		
QTY	DESCRIPTION	NF9282
3	GRATING 12" X 109 1/2"	NF4759P17
24	5/16-18 X 3/4 HHCS	NFOP10287
24	GRATING NUT	NF4822P11



**MISSING PARTS OR IN NEED
OF
ASSEMBLY ASSISTANCE?**

Contact us direct for fast friendly service (800) 433-8488

Int'l calls (630) 892-8941 | WEB: WWW.LYONWORKSPACE.COM | Fax (800) 367-6681

ASSEMBLY INSTRUCTIONS
FOR 8000 SERIES TWO
LEVEL SHELVING



9282
MAIN AISLE GRATING