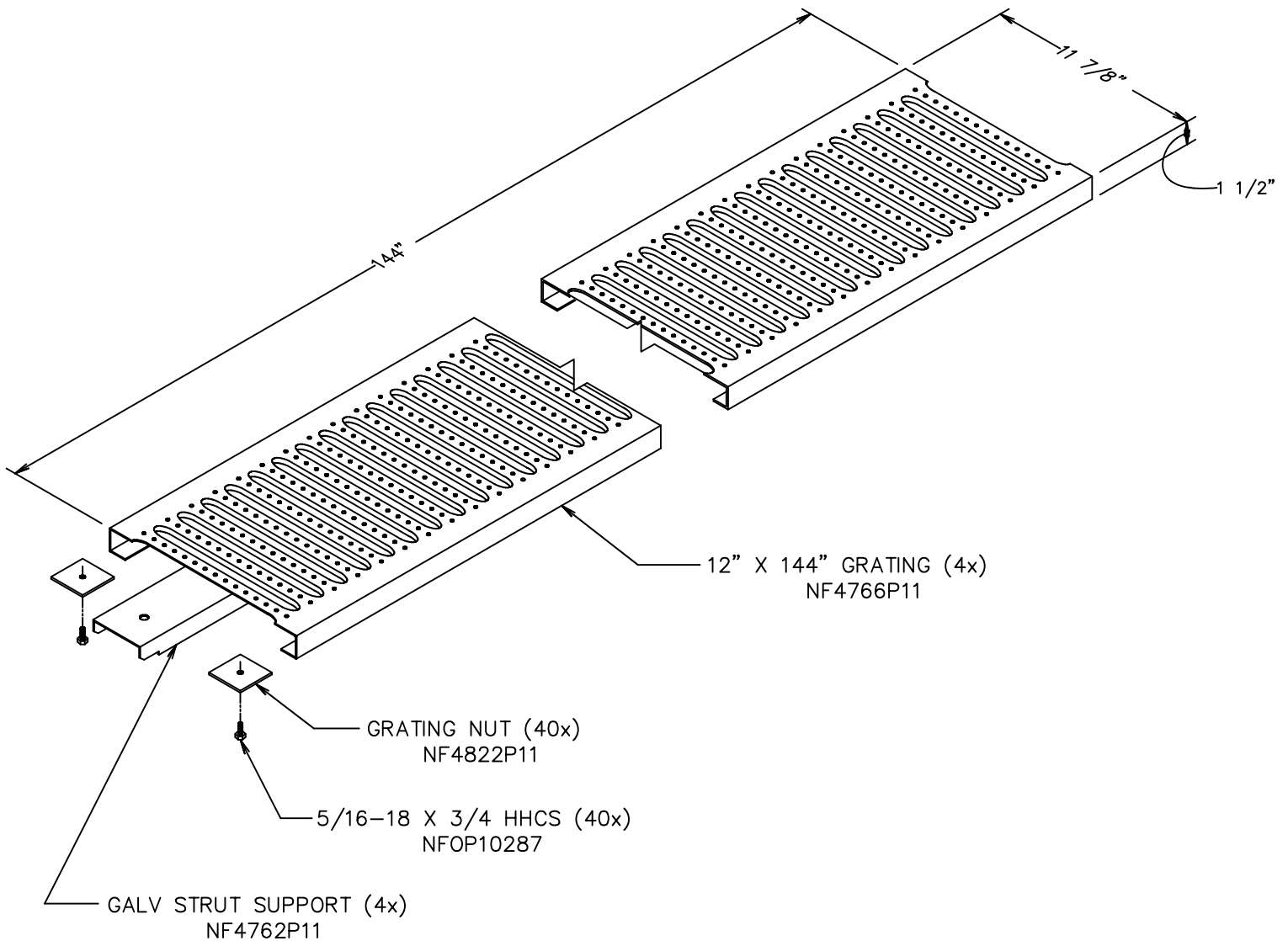


BILL OF MATERIALS		
QTY	DESCRIPTION	NF9283
1	GRATING 12" X 144"	NF9247
1	CTN GRATING STRUT & HDW	NF9249

BILL OF MATERIALS		
QTY	DESCRIPTION	NF9247
4	GRATING 12" X 144"	NF4766P11

BILL OF MATERIALS		
QTY	DESCRIPTION	NF9249
4	GALV STRUT SUPPORT	NF4762P11
40	5/16-18 X 3/4 3/4 HHCS	NFOP10287
40	GRATING NUT	NF4822P11



**MISSING PARTS OR IN NEED
OF
ASSEMBLY ASSISTANCE?**

Contact us direct for fast friendly service (800) 433-8488

Int'l calls (630) 892-8941 | WEB: WWW.LYONWORKSPACE.COM | Fax (800) 367-6681

ASSEMBLY INSTRUCTIONS
FRO 8000 SERIES TWO
LEVEL SHELVING

LYON  LYON WORKSPACE PRODUCTS
P.O. BOX 671
AURORA, IL 60507

9284

MAIN AISLE GRATING