

SHEET 1 OF 2

**MISSING PARTS OR IN NEED
OF
ASSEMBLY ASSISTANCE?**

Contact us direct for fast friendly service (800) 433-8488

Int'l calls (630) 892-8941 | WEB: WWW.LYONWORKSPACE.COM | Fax (800) 367-6681

ASSEMBLY INSTRUCTIONS
FOR LYON TWO LEVEL
8000 SERIES SHELVING

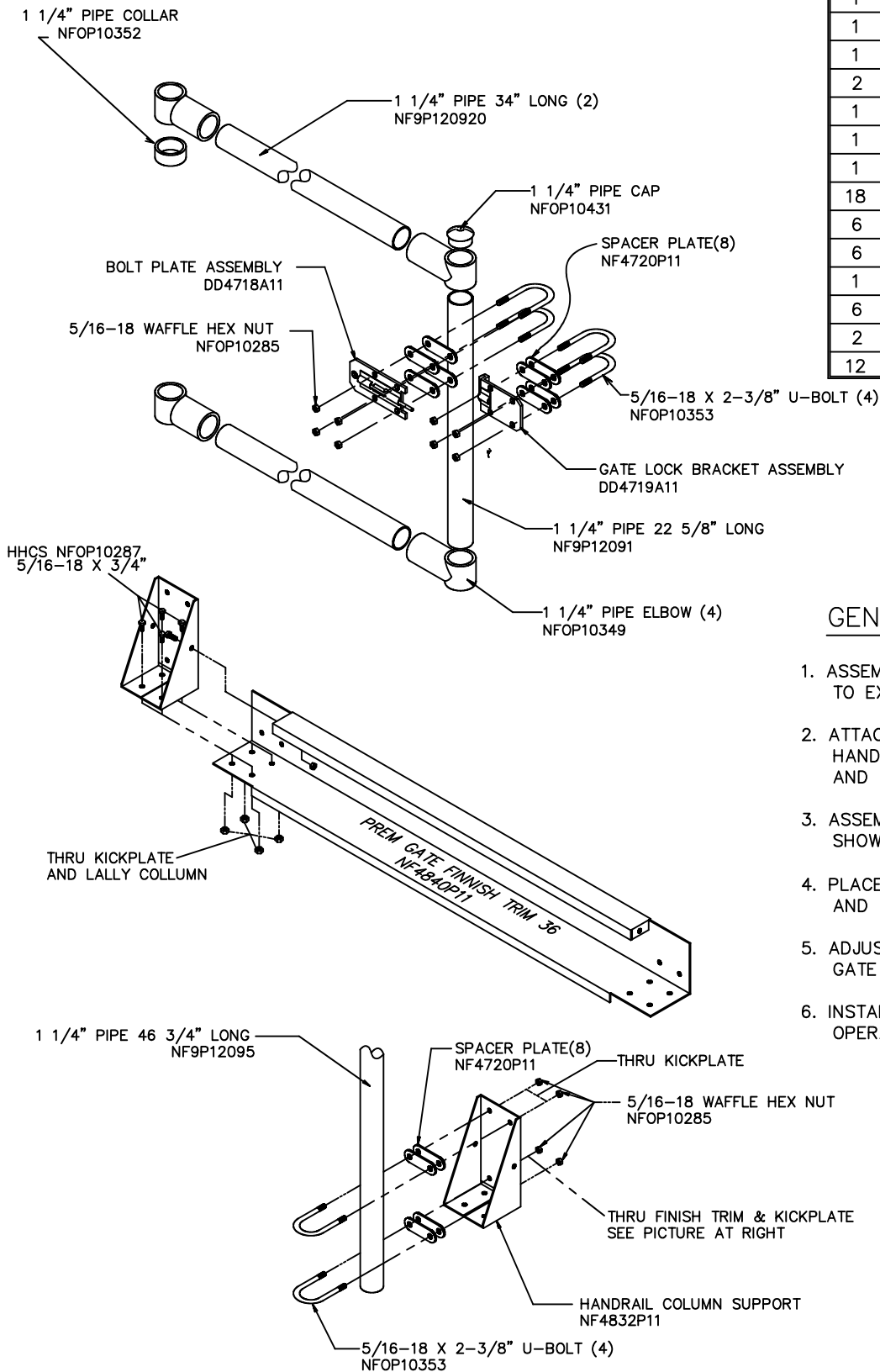
LYON  LYON WORKSPACE PRODUCTS
P.O. BOX 671
AURORA, IL 60507

9258

PERIMETER GATE 36"

BILL OF MATERIALS

QTY	DESCRIPTION	XX9258
1	HANDRAIL COLUMN SUPPORT	NF4832P11
1	PREM GATE FIN TRIM 36	NF4840P11
1	GALVARAIL PIPE 22 5/8"	NF9P12091
2	GALVARAIL PIPE 34	NF9P120920
1	GALVARAIL PIPE 46 3/4"	NF9P12095
1	BOLT PLATE ASSEMBLY	DD4718A11
1	GATE LOCK BRACKET ASSY	DD4719A11
18	NUT 5/16-18 WAFFLE HEX	NFOP10285
6	5/16-18 X 3/4" HHCS	NFOP10287
6	1 1/4" PIPE TEE	NFOP10349
1	1 1/4" PIPE COLLAR	NFOP10352
6	5/16-18 X 2 3/8 "U" BOLT	NFOP10353
2	PIPE CAP	NFOP10431
12	SPACER PLATE-ZINC PLATED	NF4720P11



GENERAL INSTRUCTIONS

1. ASSEMBLE FINISH TRIM AND HANDRAIL COLUMN TO EXISTING KICKPLATE AND LALLY COLUMN
2. ATTACH GALVARAIL PIPE (46 3/4") TO HANDRAIL COLUMN SUPPORT USING "U" BOLTS AND SPACER PLATES
3. ASSEMBLE GATE AND BOLT PLATE ASSY AS SHOWN ABOVE
4. PLACE GATE ASSEMBLY ONTO HANDRAIL COLUMN AND INSTALL UPPER HANDRAIL
5. ADJUST PIPE COLLAR FOR FREE MOVEMENT OF GATE
6. INSTALL LATCH BRACKET AND CHECK FOR OPERABILITY

SHEET 2 OF 2

MISSING PARTS OR IN NEED OF ASSEMBLY ASSISTANCE?

Contact us direct for fast friendly service (800) 433-8488

Int'l calls (630) 892-8941 | WEB: WWW.LYONWORKSPACE.COM | Fax (800) 367-6681

ASSEMBLY INSTRUCTIONS
FOR LYON TWO LEVEL
8000 SERIES SHELVING

LYON  LYON WORKSPACE PRODUCTS
P.O. BOX 671
AURORA, IL 60507

9258

PERIMETER GATE 36"