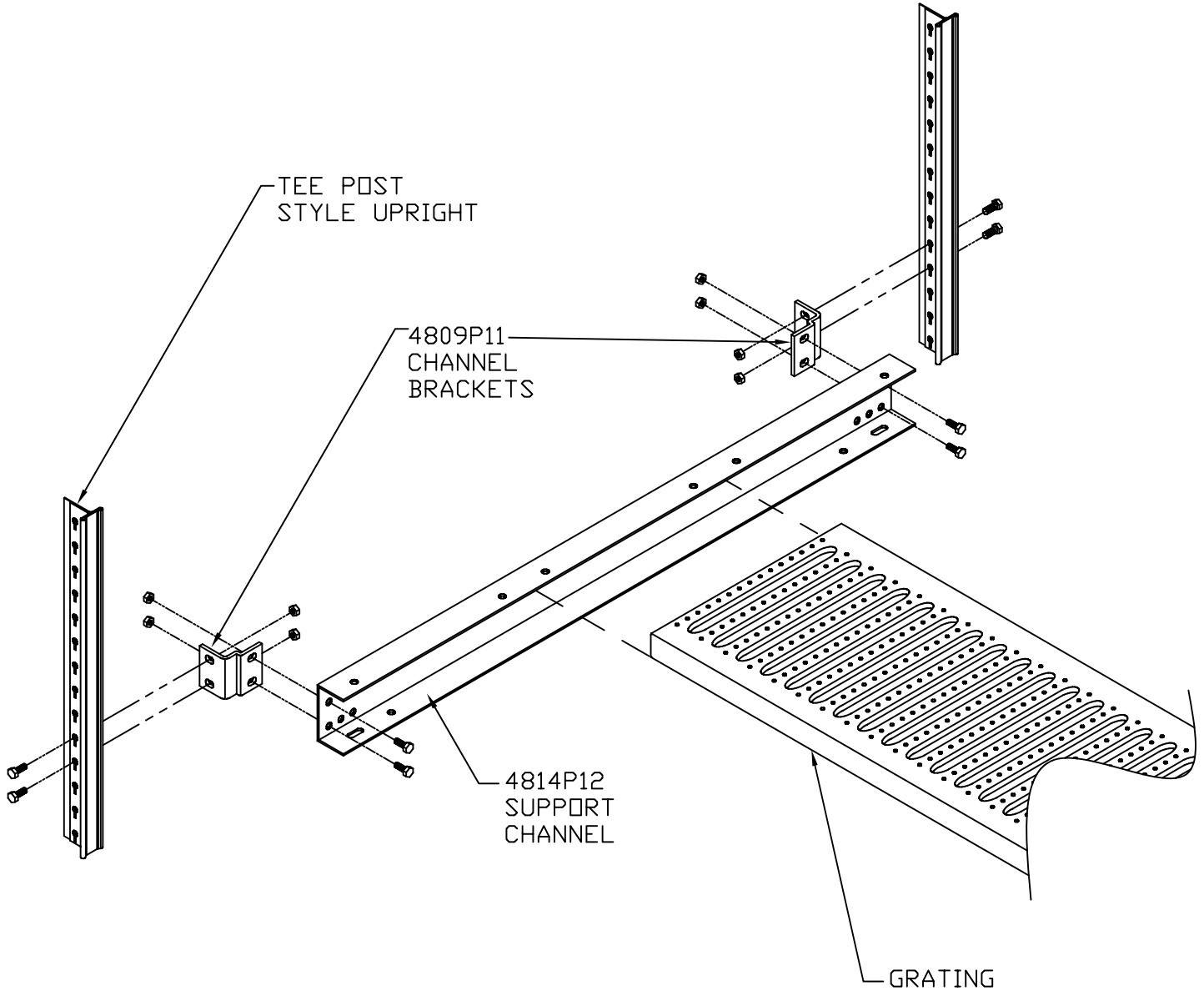


BILL OF MATERIALS		
QTY	DESCRIPTION	XX9223
3	PERP. GRATE SUPP 35.75"X3.5"	NF4814P12
6	CHANNEL BRACKET	DD4809P11
24	5/16-18 X 3/4 HHCS	NFOP10287
24	NUT 5/16-18 WAFFLE HEX	NFOP10285

BILL OF MATERIALS		
QTY	DESCRIPTION	XX9222
2	PERP GRATE SUPP.35.75"X3.5"	NF4814P12
4	CHANNEL BRACKET	DD4809P11
16	5/16-18 X 3/4 HHCS	NFOP10287
16	NUT 5/16-18 WAFFLE HEX	NFOP10285



SHEET 1 OF 1

**MISSING PARTS OR IN NEED  
OF  
ASSEMBLY ASSISTANCE?**

Contact us direct for fast friendly service (800) 433-8488

Int'l calls (630) 892-8941 | WEB: WWW.LYONWORKSPACE.COM | Fax (800) 367-6681

ASSEMBLY INSTRUCTIONS  
FOR LYON TWO LEVEL  
8000 SERIES SHELVING

**LYON** LYON WORKSPACE PRODUCTS  
P.O. BOX 671  
AURORA, IL 60507

9222/9223

PERPENDICULAR GRATING SUPPORT