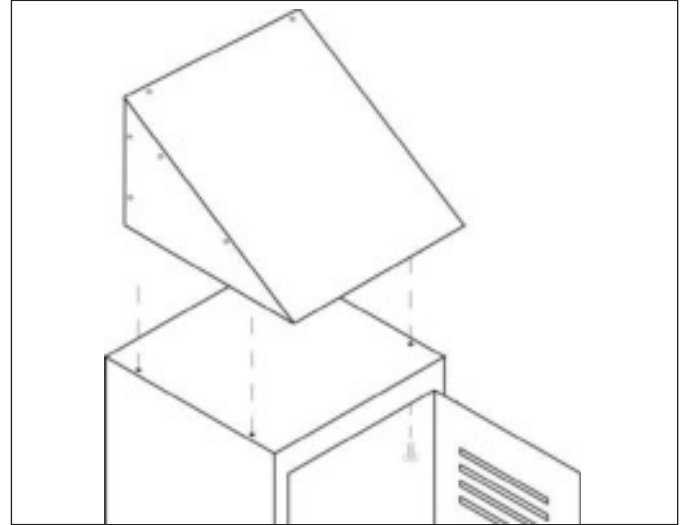
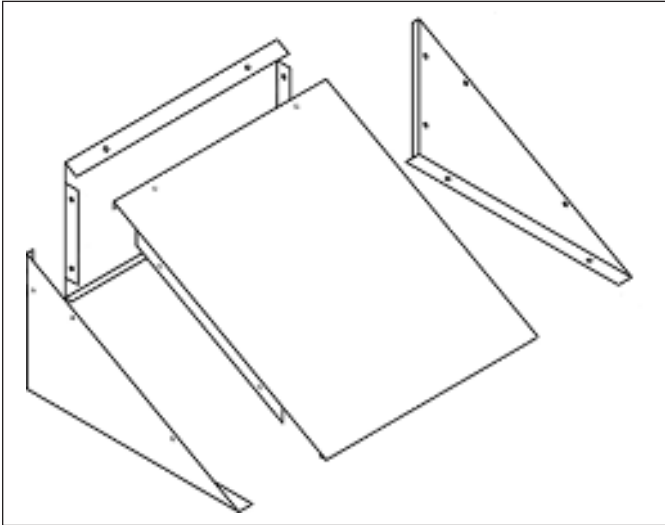


You can enhance your locker installation with any of the below optional accessories. Accessories can be installed at the same time as your new ValTec Lockers, or added to your existing ValTec Lockers. All accessories are sold separately.

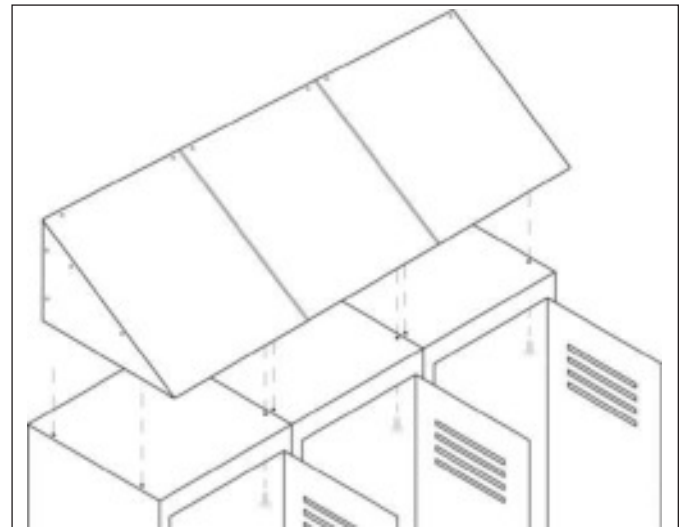
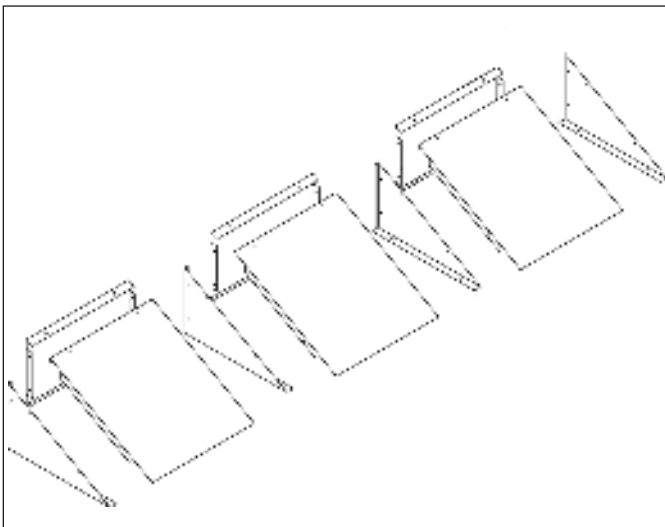
Slope Top Kit - Single Wide Locker

Attach the top panel to the back panel with the screws and bolts provided. Position the flange of the top panel behind the back panel. Attach the side panels to the top and back panel. Secure slope top kit to the top of the locker.



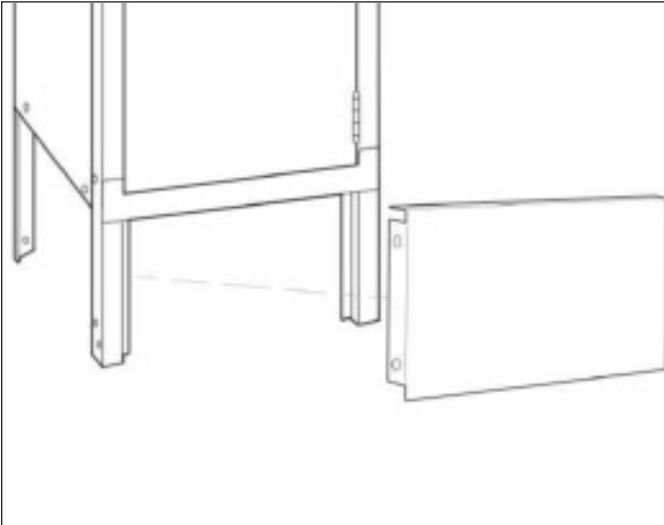
Slope Top Kit - Three Wide Locker

Attach the top panels to the back panels with the screws and bolts provided. Position the flange of the top panel behind the back panel. Attach the side and middle panels to the top and back panels. Secure slope top kit to the top of the lockers.



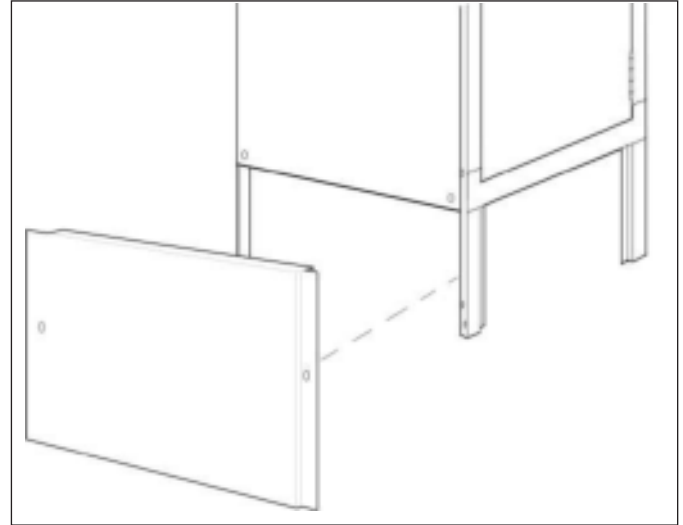
Front Base

With the flanges facing inward, attach the front base to the front locker legs with nuts and bolts.



End Base

With the top flange facing inward, slide base behind front leg and over rear leg. Attach with nuts and bolts.



Number Plate

Number plates are easily installed with two slotless screws and nuts.

