

Recommended Anchoring Methods

For safety, it is recommended that lockers be secured to the floor and wall with anchors. The end lockers of a row should be anchored as well as intermediate lockers on a maximum of 36" centers. All banks of lockers should be tied together in a minimum of 4 places per locker. Purchase Locker Foot quantity based on locker quantity and installation type.

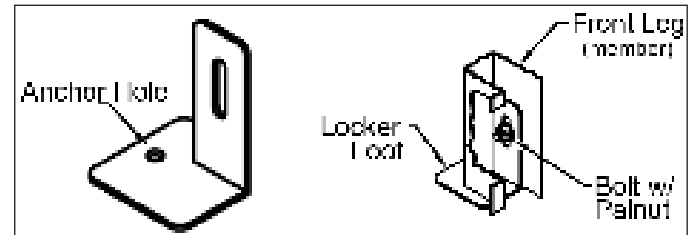
Anchors are not provided.

Attach a locker foot to each front and rear leg as shown. Adjust rear leg as needed to level the locker. If end bases are used, they must be attached before the locker foot. **NOTE:** Tighten bolts after lockers are set in place and leveled.

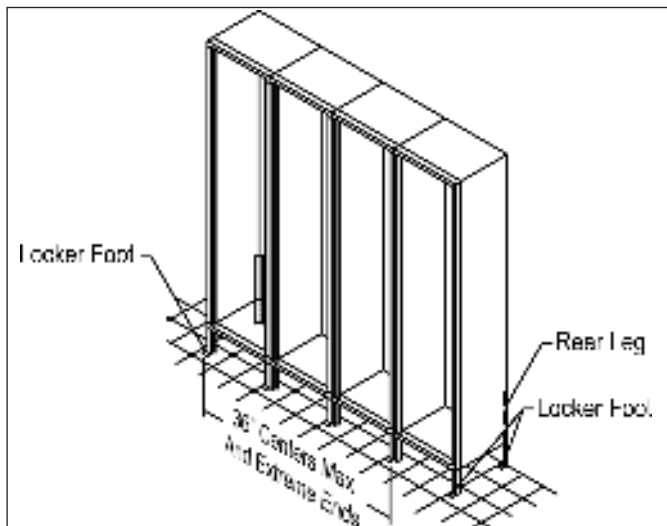
WARNING:

Floor Anchor must have a minimum pull-out value of 190 lbs
 Wall Anchor must have a minimum pull-out value of 150 lbs

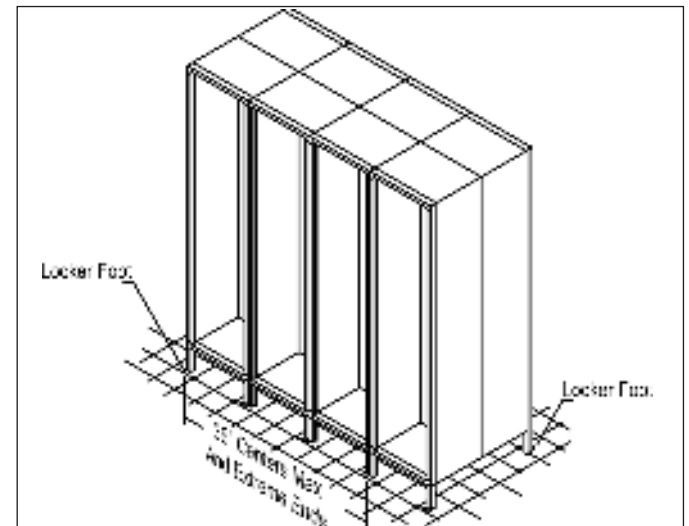
Locker Foot



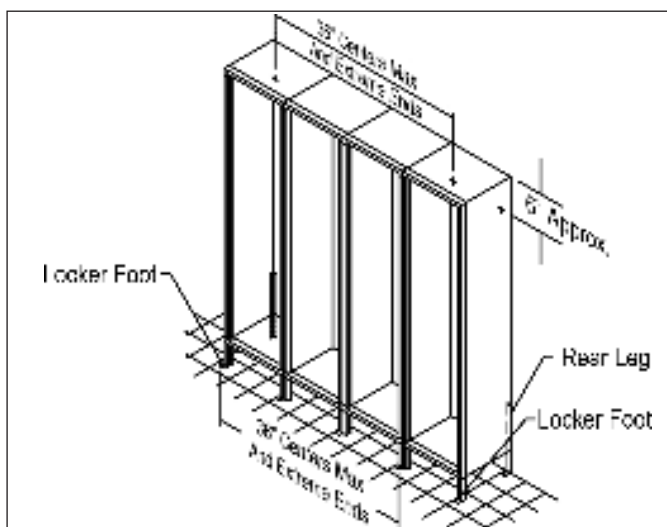
Free Standing Single Row Lockers



Free Standing Double Row Lockers



Single Row Lockers Against A Wall



Connecting Banks of Lockers

