

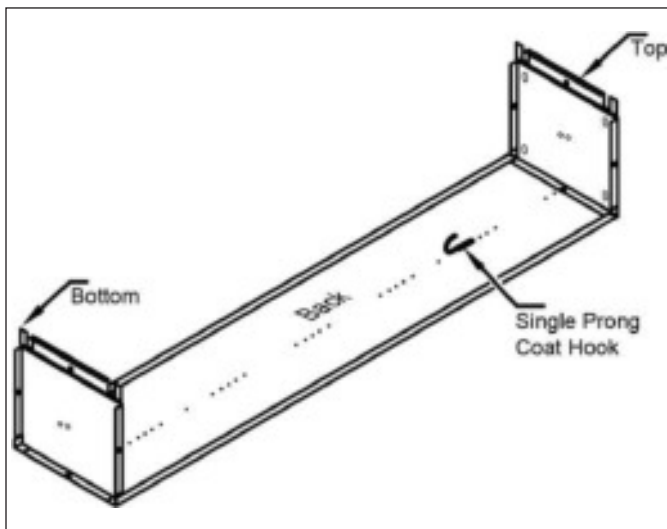
Locker Assembly Instructions

These instructions are intended to assist you in assembling your ValTec lockers. Before assembly, please check for missing or damaged parts. Lockers should be assembled on a flat, level surface. **CAUTION:** Some parts have sharp edges and corners, wear gloves during assembly. Only use the specified hardware. Assembly will require the following tools:

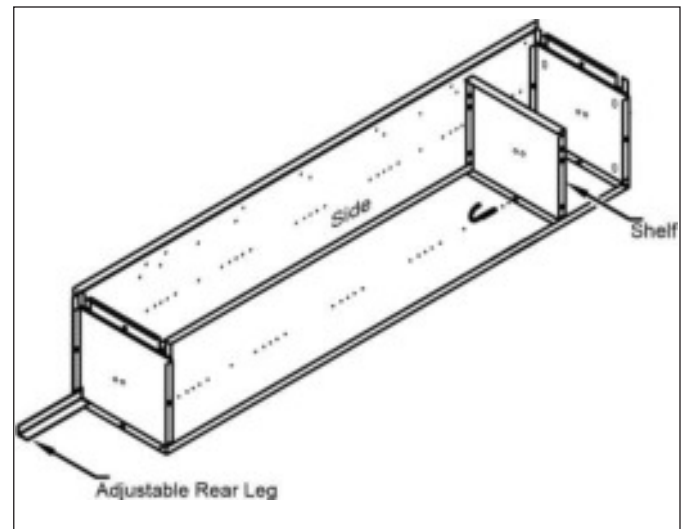
- 2 drift pins (or 2 nail punches) for hole alignment
- 3/8" socket wrench

Loosely fasten a screw and nut into every set of mating holes with screw heads positioned on the outside of the locker or exposed surface.

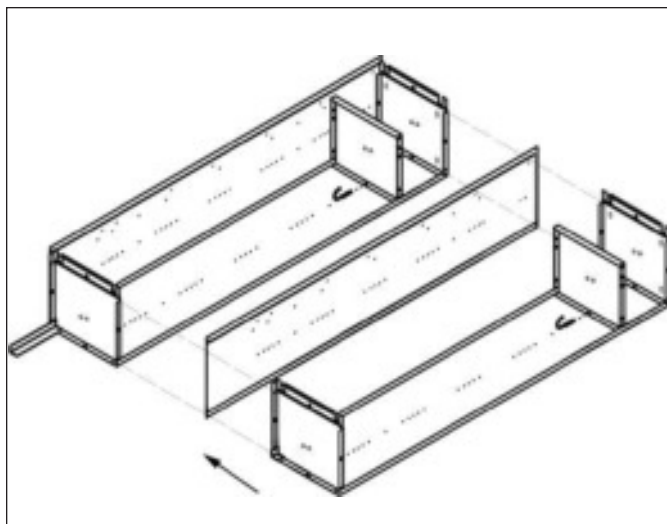
1. With flanges down, attach the locker top and locker bottom to the back panel. Bolt single prong hook to back if applicable.



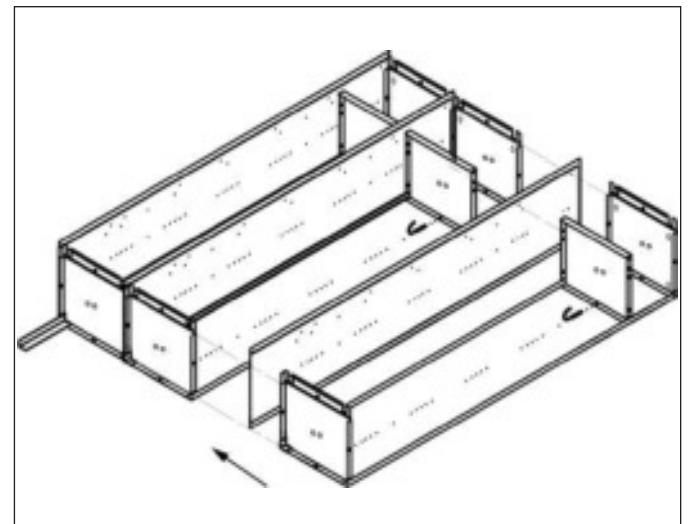
2. Attach the first side panel and left rear leg. Install shelves by bolting to side with 45° flange facing down. (see punching pattern for hole locations)
Single Wide Lockers - Skip to Step 5



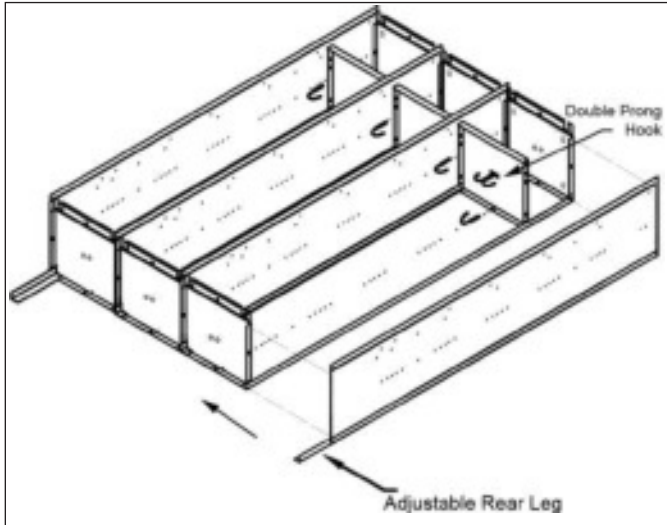
3. Three Wide Lockers - Repeat step 1 to build the next locker section. Simultaneously attach the second side panel and shelves to the section built in steps 1 and 2.



4. Three Wide Lockers - Repeat step 1 to build the next locker section. Simultaneously attach the third side panel and shelves to the section built in step 3.

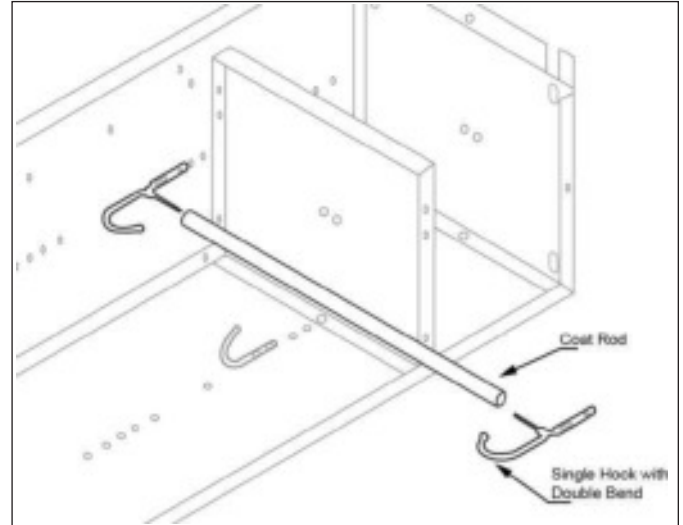


5. Attach the last side panel and the right rear leg to the assembly. Attach remaining single prong hooks to sides. Attach double prong hooks to top shelves on single and double tier lockers.

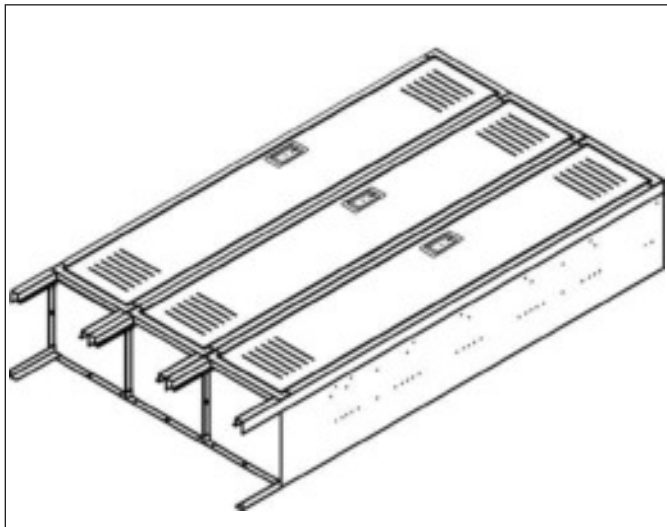


18" deep Single Tier Lockers

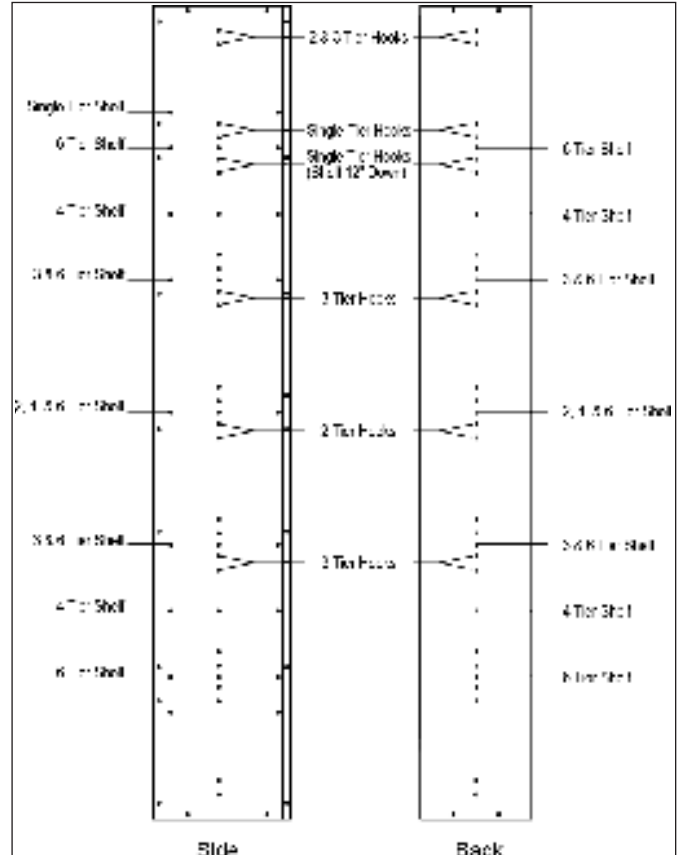
Coat rod is used in place of double prong hook. To install, use single hook with double bend on sides with coat rod secured in between.



6. Attach the door frame assembly. Leave top, center, and bottom bolts out if attaching to additional lockers. Tighten all fasteners checking for squareness of locker while tightening.



SHELF PUNCHING PATTERN



RECOMMENDED ANCHORING

Fasten all lockers in a row together by installing fasteners through the side panels. Place the locker in the installed location. For safety, lockers should be anchored to the floor and/or wall. It is recommended to anchor individual lockers using a locker foot on all legs. For banks of lockers, anchor extreme ends plus intermediate lockers on 36" centers maximum. **Anchors are not provided.**